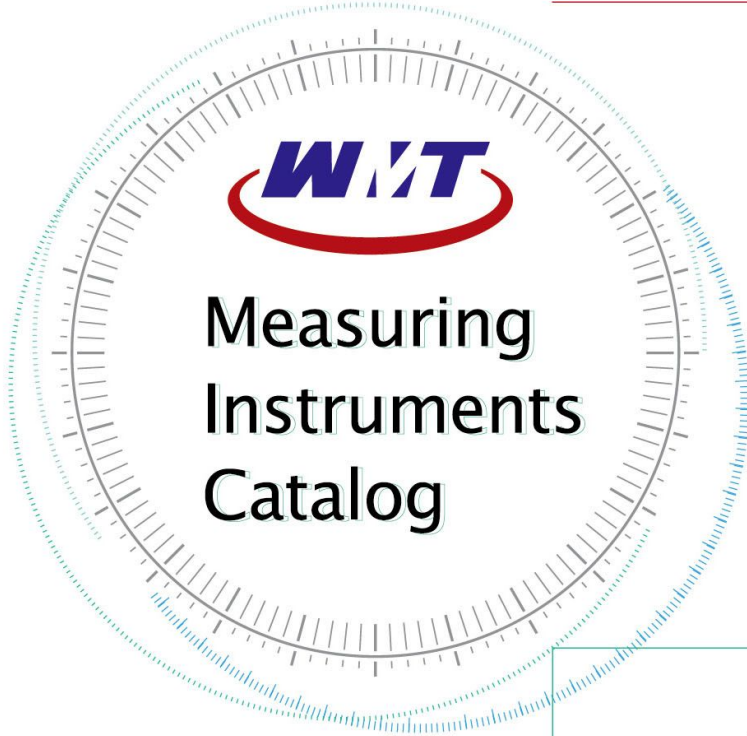


量具产品目录

Pursuing
The Precision
Serving
The World



ISO9001:2015 国际认证

威海新威量量具有限公司
WEIHAI MEASURING TOOLS CO.,LTD.

About Us

WEIHAI
MEASURING
TOOLS
CO.,LTD.



追求精确 服务世界

威海新威量具有限公司(原威海量具厂有限公司)创建于1956年,是国内早期生产系列精密量具的厂家之一。六十多年的艰苦创业和不断积累,使我们拥有了赖以为广大客户提供精密量具的雄厚的技术力量、精良的设备和现代化的企业管理体制。

现代科技的发展对测量精度提出了越来越高的要求。在挑战和机遇面前,威量全体员工为此而做的努力也从未停息。我们将不遗余力地为您提供高、精、尖的测量工具,使您的工作更有成效,保证您的每一份投资物有所值。顾客至上是我们始终恪守的信条,任何顾客都将得到我们优质的服务。威量良好的商誉也是完全值得信赖的。

我们的销售网络遍布世界各地,熟练掌握专业技术的业务人员和销售代理商将为解决您的测量难题提供帮助。

本公司已通过ISO9001:2015国际质量体系认证,严格的过程控制,保证了卓越的品质,使您的产品精度得到可靠的保障。追求精确、服务世界——这就是我们的目标,我们的理念。



Pursuing The Precision Serving The World



Weihai Measuring Tools Co.,Ltd. founded In 1956. It's one of the earliest manufacturers of measuring tools in China , With more than sixty year's efforts , we have got rich technical forces. Excellent equipments and modern business management system to offer accurate measuring tools for our customers.

With the development of modern science and technology , high demand is set for measuring precision. Facing the challenge and opportunity, the workers of the plant never stop their creativity and efforts. In order to make your work more effective , we shall put all our energies to offer the high, nice, top measuring tools for you. Each of your cost will value itself. We always promise " customers come first and quality is first ". Anyone will get our excellent service. The best commercial prestige of Weihai Measuring Tools Co.,Ltd. is worthy of being trust.

Our selling network is all over the world. The skilled , specialized , technology , professional persons and selling agent will offer help to solve your difficult problem in measuring.

We achieved ISO9001:2015 International Standard Certificate. By strict quality control. We supply customers with satisfying product and services.

Pursuing the precision , Serving the world. — our goal and faith.

The Selling Network

销售网络





Pursuing
The Precision
Serving
The World
追求精确 服务世界





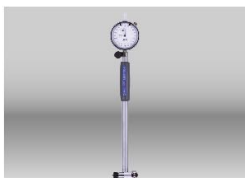
Catalogue 产品目录



指示表 DIAL INDICATORS.....	A01
公制指示表METRIC DIAL INDICATORS.....	A02
千分指示表Micrometer Dial Indicators.....	A03
杠杆齿轮比较仪Mechanical Dial Comparators.....	A03
防震指示表Shockproof Dial Indicators.....	A04
普通指示表Universal Dial Indicators.....	A05
双面指示表Double Faces Dial Indicators.....	A07
防水指示表Water Proof Dial Indicators.....	A07
大量程指示表Long Range Dial Indicators.....	A08
小型指示表Miniature Dial Indicators.....	A11
硬度计专用表Special Indicator for Durameter.....	A12
端面指示表Back Plunger Dial Indicators.....	A13
单转指示表One Revolution Dial Indicators.....	A14
英制指示表Inch Dial Indicators.....	A15
0.0001"英制表Inch Dial Indicators.....	A15
0.001"英制表Inch Dial Indicators.....	A16
0.0005"英制表Inch Dial Indicators.....	A17
大量程英制表Long Range Inch Dial Indicators.....	A18
小型英制表Miniature Inch Dial Indicators.....	A19
英制防水指示表Inch Water Proof Dial Indicators.....	A20
电子数显表Electronic Digital Indicators.....	A21
指示表附件Dial Indicator Accessories.....	A25



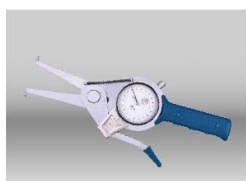
杠杆指示表DIAL TEST INDICATORS.....	B01
杠杆千分表Metric Dial Test Indicators.....	B03
杠杆百分表Metric Dial Test Indicators.....	B03
端面杠杆指示表Vertical Dial Test Indicators.....	B03
加长测头杠杆表Metric Long Stylus Test Indicators.....	B03
倾斜杠杆指示表Tilted Face Dial Test Indicators.....	B05
大量程倾斜杠杆指示表Long Range Tilted Face Dial Test Indicators.....	B05
锌铝合金杠杆指示表Zinc-Aluminium Alloy Dial Test Indicators.....	B06
英制杠杆表Inch Dial Test Indicators.....	B08
英制杠杆万分表Inch Dial Test Indicators.....	B08
公英制杠杆表Metric-Inch Dial Test Indicators.....	B08
英制大量程杠杆表Long Range inch Dial Test Indicators.....	B09
英制倾斜杠杆表Inch Tilted Face Dial Test Indicators.....	B09
英制端面杠杆表Inch Vertical Dial Test Indicators.....	B10
英制加长测头杠杆表Inch Long Stylus Test Indicators.....	B10
杠杆指示表附件 Dial Test Indicators Accessories.....	B11



内径指示表 DIAL BORE GAUGES.....	C01
内径千分表Metric Micrometer Dial Bore Gauges.....	C03
英制内径万分表Inch Micrometer Dial Bore Gauges.....	C04
可调式内径量表标设定仪Bore Gauge Setting Master kit.....	C05
数显内径百分表Digital Dial Bore Gauges.....	C06
公制内径百分表Metric Dial Bore Gauges.....	C08



加长和弯杆内径表Metric Extension And Bending Dial Bore Gauges.....	C13
大活动测头行程内径百分表Dial Bore Gauges With Long Travel of Measuring Rod.....	C14
涨簧式内径百分表Expanding Head Bore Dial Indicator.....	C15
公制内径指示表附件Metric Dial Bore Gauge Accessories	C16
英制数显内径指示表Inch Digital Dial Bore Gauges	C19
英制内径指示表Inch Dial Bore Gauges.....	C20
英制加长和弯杆内径指示表Inch Extension And Bending Dial Bore Gauges.....	C23
英制内径指示表附件Inch Dial Bore Gauge Accessories	C24



带表卡规DIAL CALIPER GAUGES.....	D01
数显卡规Digital Caliper Gauges	D02
公制带表内卡规Metric Inside Dial Caliper Gauges	D03
公制带表外卡规Metric Outside Dial Caliper Gauges	D04
英制带表内卡规Inch Inside Dial Caliper Gauges.....	D05
英制带表外卡规Inch Outside Dial Caliper Gauges.....	D05
大量程带表外卡规Outside Dial Caliper Gauges	D06
大测深带表内卡规Inside Dial Caliper Gauges.....	D07
快速卡规External Quick Caliper.....	D07
带可换测头的高精度内卡规Inside Dial Caliper Gauges With Anvils	D08



测厚规DIAL THICKNESS GAUGES.....	E01
测厚规Dial Thickness Gauges.....	E03
袖珍测厚规Pocket Thickness Gauges	E08
测厚规Dial Thickness Gauges.....	E09
十分测厚规Dial Thickness Gauges.....	E13
管厚规Dial Pipe Gauges.....	E14
数显测厚规Digital Thickness Gauges	E15



对刀器PRESET GUAGES.....	F01
定中心杠杆表Centering Dial Indicator.....	F02
对刀器(Z轴设定器) PRESET GUAGES (Z axis setter).....	F03



其他产品OTHER PRODUCTS.....	G01
深度指示表Depth Gauges	G02
磁性表座Magnetic Stand.....	G02
角度表Indicator Of Universal Protractor.....	G03
硫化机测力表Indicator Of Vulcanizer Dynameter.....	G03
数显半径规Digital Radius Gauges	G04



Pursuing
The Precision
Serving
The World

A01

03
05
07
09
11
13
15
17
19
21
23
25
27
29
31
33
35
37
39

指示表 Dial Indicators

A

- 公制指示表
Metric Dial Indicators
- 英制指示表
Inch Dial Indicators
- 防震指示表
Shockproof Dial Indicators
- 普通指示表
Universal Dial Indicators
- 大量程指示表
Long Range Dial Indicators
- 双面指示表
Double Faces Dial Indicators
- 防水指示表
Water Proof Dial Indicators
- 电子数显指示表
Electronic Digital Indicators



公制指示表 METRIC DIAL INDICATORS

A02

04
06
08
10
12
14
16
18
20
22
24
26
28
30
32
34
36
38
40



223-112



122-102

指示表的特点

1. 主要运动部件采用特殊耐磨不锈钢和高质量黄铜材料制成，具有良好耐磨及防锈性能。
2. 指示表结构简明，方便使用及保养，灵敏度高，精度稳定可靠。
3. 表体采用钢制表体和铝合金表体两种形式，钢表体表面喷砂镀铬，铝合金表体表面抛光或喷砂氧化。
4. 带内、外公差指示器或不带公差指示器。
5. 齿轮防震和齿条防震两种防震结构。
6. 带钻和不带钻结构。
7. 下套管采用不锈钢材料。
8. 刻度盘刻线清晰，方便读数。

SPECIFICATION AND FUNCTION

1. Main movement parts are made of special hard stainless steel and high quality brass, which has good rust-resistance performance.
2. The dial indicators are simply assembled, for easy usage and maintenance, with high sensibility, reliability and stability.
3. Main bodies are machined from steel plating satin chromium, or aluminum with oxidation or not.
4. With inside (outside) tolerance or without tolerance.
5. Gear shockproof or rack shock resistant.
6. Jeweled or not.
7. Stem is made of stainless steel.
8. Micro fine graduation for easy reading.



Pursuing
The Precision
Serving
The World

公制指示表 METRIC DIAL INDICATORS

千分指示表 Micrometer Dial Indicators

01

A03

05

07

09

11

13

15

17

19

21

23

25

27



218-110A



218-121



218-113

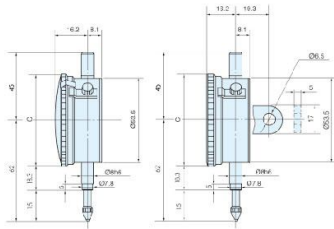
性能及特点

- 钢制表体
- 宝石轴承
- 封闭式防尘帽
- 带表圈锁紧装置
- 常规供货为塑料平后盖

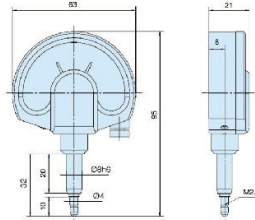
FEATURES

- Steel Body
- Jeweled
- Anti-dirty cap
- With dial lock screw
- Plastic flat back is valid for standard

外形尺寸图 DIMENSIONS(mm)



外形尺寸图 DIMENSIONS(mm)



杠杆齿轮比较仪 Mechanical Dial Comparators



222-021 | 222-121英制

- 主要用于比较法测量工件的几何形状和位置误差，在一定范围内也可用于绝对测量。
- 分度值：0.001mm | 0.00005in
- 示值范围：±0.05mm | ±0.002in
- 最大允许误差(MPE)：0.0012mm | 0.00005in
- 最大测量力：1.5N

主要技术参数 SPECIFICATIONS

货号	型号	分度值	测量范围	尺寸C	说明
Nr.	Model	Grad.(mm)	Range (mm)	Dimensions(mm)	Explanation
218-110	WL98	0.001	0-1	58	外公差指示器 Outside tolerance hand
218-110A	WL98	0.001	0-1	56	宽纹金属表圈、内公差指示器 Broad knurl metal bezel. Inside tolerance
218-120	WL98	0.001	0-1	58	内公差指示器 Inside tolerance hand
218-111	WL98	0.001	0-2	58	外公差指示器 Outside tolerance hand
218-111A	WL98	0.001	0-2	56	宽纹金属表圈、内公差指示器 Broad knurl metal bezel. Inside tolerance
218-121	WL98	0.001	0-2	58	内公差指示器 Inside tolerance hand
218-113	WL97	0.001	0-5	58	宽纹金属表圈 Broad knurl metal bezel

公制指示表 METRIC DIAL INDICATORS

防震指示表 Shockproof Dial Indicators

02

A04

06

08

10

12

14

16

18

20

22

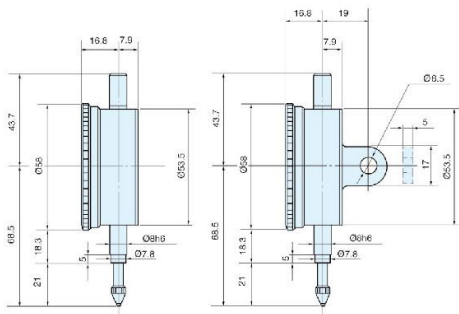
24

26

28



外形尺寸图 DIMENSIONS(mm)



性能及特点

- 钢制表体
- 宝石轴承
- 齿条防震机构211系、齿轮防震机构233系
- 半封闭式防尘帽
- 常规供货为塑料平后盖
- 可根据用户要求提供金属平后盖及金属耳后盖

FEATURES

- Steel body
- Jeweled
- Rack shockproof 211 series , Gear shockproof mechanism 233 series
- Semi-seal cap
- Plastic flat back is valid for standard
- The metal lug back can be supplied upon request

主要技术参数 SPECIFICATIONS

货号 Nr.	型号 Model	分度值 Grad.(mm)	测量范围 Range (mm)	说明 Explanation
211-010(A)	WL02A11	0.01	0-10	无公差指示器 Whithout tolerance hand
211-011(A)	WL02A12	0.01	0-5	
211-012(A)	WL02A13	0.01	0-3	
211-020(A)	WL02A21	0.01	0-10	内公差指示器 Inside tolerance hand
211-021(A)	WL02A22	0.01	0-5	
211-022(A)	WL02A23	0.01	0-3	
233-020(A)	WL04C	0.01	0-10	

(A)-宽纹金属表圈
(A)-With broad knurl
metal bezel



Pursuing
The Precision
Serving
The World

公制指示表 METRIC DIAL INDICATORS

普通指示表 Universal Dial Indicators

01
03
A05
07
09
11
13
15
17
19
21
23
25
27



212-020A



212-021A



212-022A

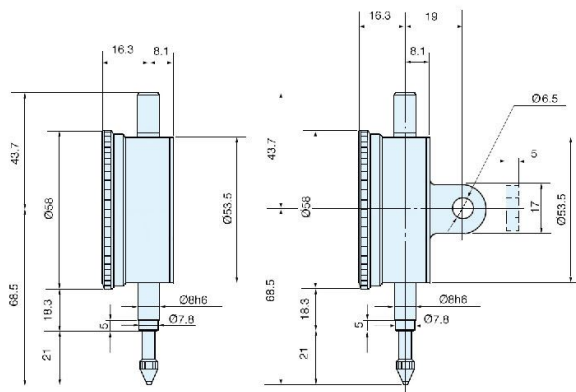
性能及特点

- 钢制表体
- 宝石轴承
- 半封闭式防尘帽
- 常规供货为塑料平后盖
- 可根据用户要求提供金属平后盖及金属耳后盖

FEATURES

- Steel body
- Jeweled
- Semi-seal cap
- Plastic flat back is valid for standard
- The metal lug back can be supplied upon request

外形尺寸图 DIMENSIONS(mm)



主要技术参数 SPECIFICATIONS

货号 Nr.	型号 Model	分度值 Grad.(mm)	测量范围 Range (mm)	说明 Explanation
212-010(A)	WL04A11	0.01	0-10	无公差指示器 Whithout tolerance hand
212-011(A)	WL04A12	0.01	0-5	
212-012(A)	WL04A13	0.01	0-3	
212-020(A)	WL04A21	0.01	0-10	内公差指示器 Inside tolerance hand
212-021(A)	WL04A22	0.01	0-5	
212-022(A)	WL04A23	0.01	0-3	

(A)-宽纹金属表圈
(A)-With broad knurl
metal bezel

公制指示表 METRIC DIAL INDICATORS

普通指示表 Universal Dial Indicators



214-010



213-010A

02

04

A06

08

10

12

14

16

18

20

22

24

26

28

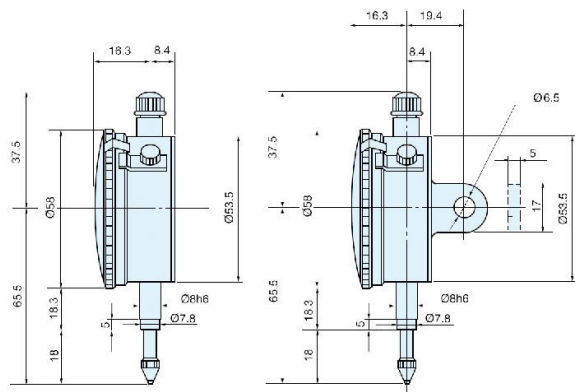
性能及特点

- 可提供钢制、铝制表体
- 宝石轴承
- 可提供表圈左面锁紧装置及右面锁紧装置
- 小指针可在右上方及左下方
- 均可提供宽窄花纹表圈
- 常规供货为塑料平后盖
- 可根据用户要求提供金属平后盖及金属耳后盖

FEATURES

- Steel or Aluminium body
- Jeweled
- Left or right lock screw
- Right-up or left-down counter hand
- Broad or fineknurl metal bezel
- Plastic flat back is valid for standard
- The metal lug back can be supplied upon request

外形尺寸图 DIMENSIONS(mm)



主要技术参数 SPECIFICATIONS

货号 Nr.	型号 Model	分度值 Grad.(mm)	测量范围 Range (mm)	说明 Explanation
213-010A	WL04B10	0.01	0-10	开式限位钉, 外公差指示器
214-010	WL04B10	0.01	0-10	半封闭式防尘帽, 外公差指示器



Pursuing
The Precision
Serving
The World

公制指示表 METRIC DIAL INDICATORS

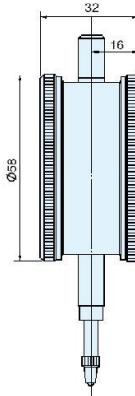
双面指示表 Double Faces Dial Indicators

01
03
05
A07
09
11
13
15
17
19
21
23
25
27
29
31
33
35
37
39



219-012

外形尺寸图 DIMENSIONS(mm)



性能及特点

- 双面表盘，两面均可读数
- 表圈颜色为黑、白搭配
- 钢制表体
- 宝石轴承

说明

- 222-012普通防水表
- 223-112防震防水表

FEATURES

- Double faces for indication
- Black and white bezel
- Steel Body
- Jeweled

EXPLANATION

- 222-012 Universal waterproof
- 223-112 Shockproof and waterproof

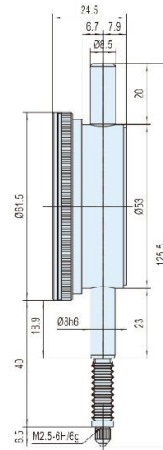
防水指示表

WATER PROOF DIAL INDICATOR



223-112

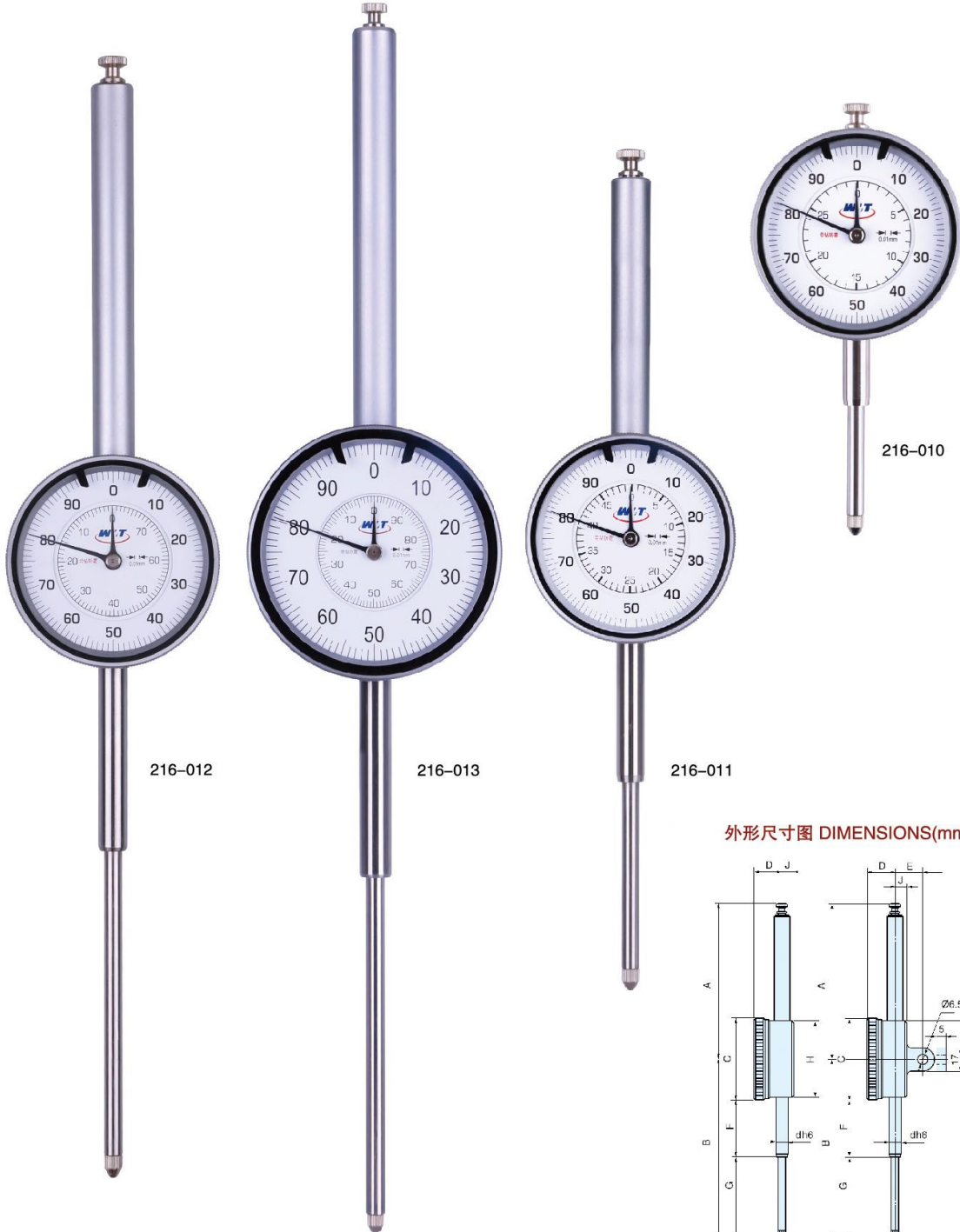
外形尺寸图 DIMENSIONS(mm)



主要技术参数 SPECIFICATIONS

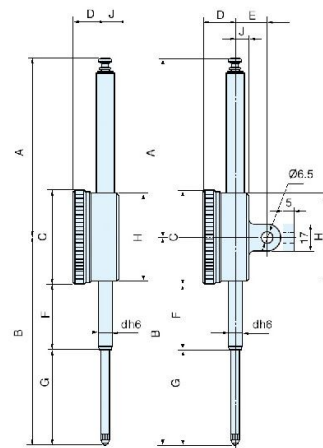
货号 Nr.	型号 Model	分度值 Grad.(mm)	测量范围 Range (mm)	
219-012	WL04SS	0.01	0-10	
219-112	WL22	0.01/0.001in	0-12.7/0.5in	
223-012	WL04F	0.01	0-10	防护等级 IP54
223-112	WL02F	0.01	0-10	防护等级 IP54

公制指示表 METRIC DIAL INDICATORS
防震大量程指示表 Shockproof Long Range Dial Indicators



02
04
06
A08
10
12
14
16
18
20
22
24
26
28
30
32
34
36
38
40

外形尺寸图 DIMENSIONS(mm)





Pursuing
The Precision
Serving
The World

公制指示表 METRIC DIAL INDICATORS

防震大量程指示表 Shockproof Long Range Dial Indicators

01

03

05

07

A09

11

13

15

17

19

21

23

25

27

29

31

33

35

37

39

性能及特点

- 钢制表体、其中216-013为异型钢表体
- 宝石轴承
- 带防震装置
- 中二针型
- 开式限位钉
- 内公差指示器
- 钢制表圈为白色或黑色两种
- 常规供货为塑料平后盖，可根据用户要求提供金属耳环后盖
- 可选配 $\varnothing 10$ 专用夹持装置

FEATURES

- Steel body. The Nr.216-013 is special-shaped steel body
- Jeweled
- With shockproof device
- With revolution counter
- Lifting screw
- Inside tolerance hand
- White or black steel bezel
- Plastic flat back is valid for standard. The metal lug back can be supplied upon request
- Optional $\varnothing 10$ special clamping device



216-013

主要技术参数 SPECIFICATIONS

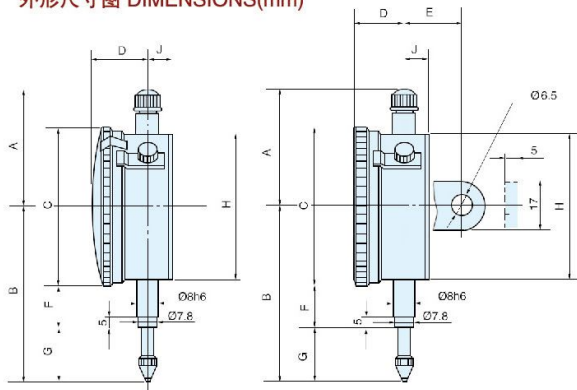
货号 Nr.	型号 Model	分度值 Grad.(mm)	测量范围 Range (mm)	外形尺寸Dimensions (mm)									
				A	B	C	D	E	F	G	H	J	d
216-010	WL30A	0.01	0-30	37.5	86.8	$\varnothing 58$	19.2	19.3	19.5	40.9	$\varnothing 53.5$	8	$\varnothing 8$
216-011	WL50	0.01	0-50	108.3	126.2	$\varnothing 58$	19.2	19.3	39.5	57.7	$\varnothing 53.5$	8	$\varnothing 8$
216-012	WL80	0.01	0-80	138.4	168.4	$\varnothing 58$	19.2	19.3	51.3	88	$\varnothing 53.5$	8	$\varnothing 8$
216-013	WL100	0.01	0-100	167.6	207.8	$\varnothing 78$	19.8	20.3	60.8	108	$\varnothing 69$	9	$\varnothing 10$
221-011	WL50	0.01	0-50	108.3	126.2	$\varnothing 78$	19.5	20.3	29.5	57.7	$\varnothing 53.5$	8	$\varnothing 8$
221-012	WL80	0.01	0-80	138.4	168.4	$\varnothing 78$	19.5	20.3	41.3	88	$\varnothing 53.5$	8	$\varnothing 8$

公制指示表 METRIC DIAL INDICATORS

大量程指示表 Long Range Dial Indicators



外形尺寸图 DIMENSIONS(mm)



性能及特点

- 钢或铝合金表体
- 开式缓冲限位钉
- 可带表圈锁紧装置
- 215-110和215-112带外公差指示器
- 215-110A和215-112A带内公差指示器
- 常规供货为塑料平后盖, 可根据用户要求提供金属耳环后盖

FEATURES

- Steel or aluminium body
- Lifting screw with cushion rubber
- With dial lock screw
- Nr.215-110 and 215-112 with outside tolerance hand
- Nr.215-110A and 215-112A with inside tolerance hand
- Plastic flat back is valid for standard. The metal lug back can be supplied upon request

主要技术参数 SPECIFICATIONS

货号 Nr.	型号 Model	分度值 Grad.(mm)	测量范围 Range (mm)	外形尺寸Dimensions (mm)									说明 Explanation
				A	B	C	D	E	F	G	H	J	
215-110	WL25	0.01	0-20	37.5	81.6	∅58	16.3	19.4	17.5	34	∅53.5	8.4	
215-111	WL25	0.01	0-25	37.5	81.6	∅58	16.3	19.4	17.5	34	∅53.5	8.4	
215-112	WL30	0.01	0-30	37.5	88.5	∅58	16.3	20	21.5	37.5	∅53.5	9	
215-110A	WL25	0.01	0-20	37.5	81.6	∅56	15	19.4	17.5	34	∅53.5	8.4	宽纹金属表圈 Fine knurl metal bezel
215-111A	WL25	0.01	0-25	37.5	81.6	∅56	15	19.4	17.5	34	∅53.5	8.4	
215-112A	WL30	0.01	0-30	37.5	88.5	∅56	15	20	21.5	37.5	∅53.5	9	
232-001	WL15	0.1	0-15	37.5	81.6	∅58	16.3	19.4	17.5	22	∅53.5	8.4	
232-002	WL15A	0.1	0-10	37.5	81.6	∅58	16.3	19.4	17.5	22	∅53.5	8.4	

02
04
06
08
A10
12
14
16
18
20
22
24
26
28
30
32
34
36
38
40



Pursuing
The Precision
Serving
The World

公制指示表 METRIC DIAL INDICATORS

小型指示表 Miniature Dial Indicators

01
03
05
07
09
11
A11
13
15
17
19
21
23
25
27
29
31
33
35
37
39



217-100



217-121



217-123

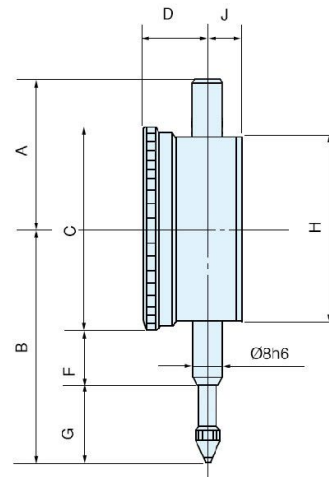
性能及特点

- 钢制表体
- 宝石轴承
- 半封闭式防尘帽
- 塑料平后盖
- 根据用户要求可特殊做内指示器小型指示表
- 公差指示器
- 217-100 217-101 无公差指示器
- 217-120 217-121 217-123带公差指示器

FEATURES

- Steel body
- Jeweled
- Semi-seal cap
- Plastic flat back
- The miniature dial indicator with inside tolerance hand can be supplied upon request
- Inside tolerance hands
- 217-100 217-101 Without tolerance hands
- 217-120 217-121 217-123 With tolerance hands

外形尺寸图 DIMENSIONS(mm)



主要技术参数 SPECIFICATIONS

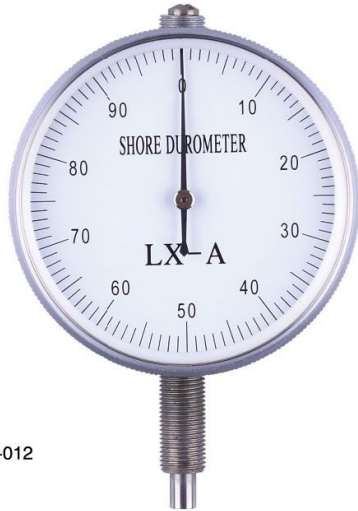
货号 Nr.	型号 Model	分度值 Grad.(mm)	测量范围 Range (mm)	外形尺寸 Dimensions (mm)							
				A	B	C	D	F	G	H	J
217-100	WL03B	0.01	0-3	30.6	46.4	Ø 42	13.5	14.7	10.7	Ø 40	7
217-101	WL03B	0.01	0-5	30.6	48.4	Ø 42	13.5	14.7	12.7	Ø 40	7
217-120	WL03B	0.01	0-3	30.6	46.4	Ø 42	13.5	14.7	10.7	Ø 40	7
217-121	WL03B	0.01	0-5	30.6	46.4	Ø 42	13.5	14.7	10.7	Ø 40	7
217-123	WL03B	0.01	0-8	33	52	Ø 42	13.5	14.7	16	Ø 40	7

邵氏、洛氏硬度计专用表

Special Indicator Duramer

邵氏硬度计专用表

Special Indicator for Duramer



220-012

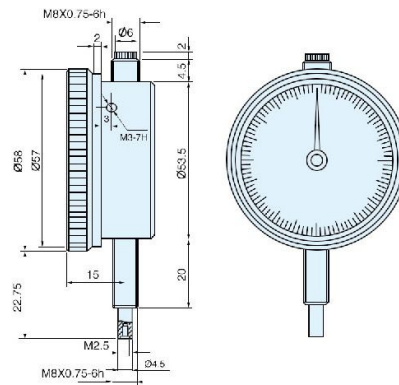
性能及特点

- 配邵氏硬度计上使用
- 钢制表体
- 下轴套为外螺纹M8 x 0.75

FEATURES

- For special duramer
- Steel body
- Screw stem M8 x 0.75

外形尺寸图 DIMENSIONS(mm)



主要技术参数 SPECIFICATIONS

货号	型号	分度值	量程	说明
Nr.	Model	Grad.(mm)	Range (mm)	Explanation
220-012	WL16	0.025	2.5	按用户要求制造 Produced to order



220-011

洛氏硬度计专用表

Special Indicator for Duramer

性能及特点

- 表圈外径110mm
- 表壳外径114mm
- 安装外径108mm

FEATURES

- Bezel Diameter 100mm
- Base Diameter 114mm
- Fix Diameter 108mm

主要技术参数 SPECIFICATIONS

货号	型号	分度值	量程	说明
Nr.	Model	Grad.(mm)	Range (mm)	Explanation
220-011	WL.RC	0.005	5	按用户要求制造 Produced to order
210-010	WL.DBRC	0.005	5	按用户要求制造 Produced to order

A12

14
16
18
20
22
24
26
28
30
32
34
36
38
40



端面指示表

Back Plunger Dial Indicator

01
03
05
07
09
11
A13
15
17
19
21
23
25
27
29
31
33
35
37
39



225-011



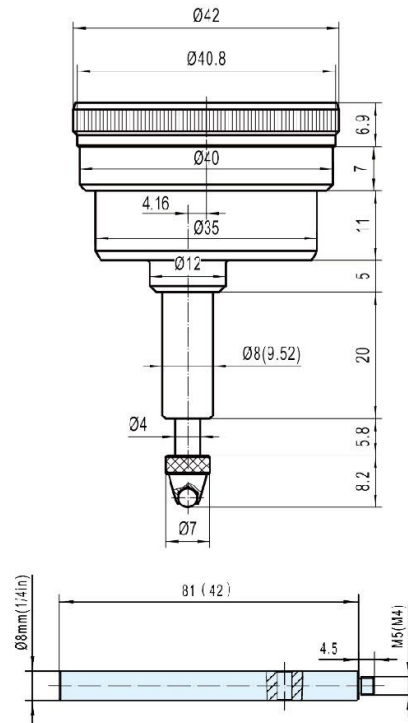
主要技术参数 SPECIFICATIONS

货号 Nr.	型号 Model	分度值 Grad.(mm)	测量范围 Range (mm)
225-011	WL.DM	0.01	0-5mm
225-010	WL.DM	0.01	0-3mm

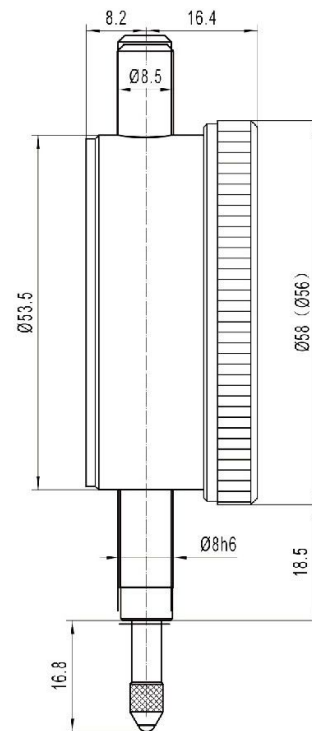
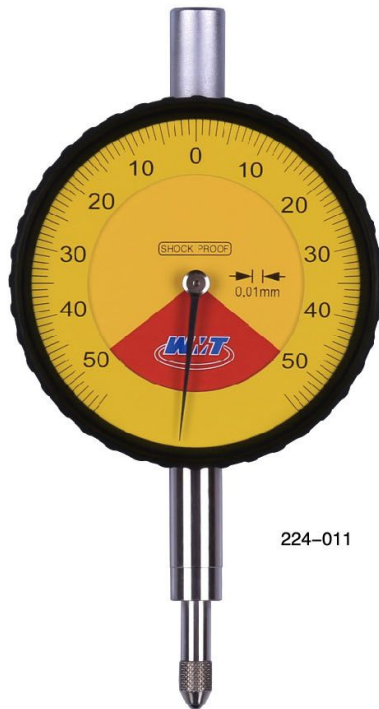
性能及特点

- 端面指示表主要用于普通指示表不方便测量的狭窄或受限空间范围的测量
- 也适合竖直安装俯视读数的测量场合
- 配有不同直径不同长度的夹持杆附件
- For measuring of narrow and confined spaces
- For overlooking reading
- With different sizes of the clamp rod

外形尺寸图 DIMENSIONS(mm)



单转指示表 One Revolution Dial Indicator



02
04
06
08
10
12
A14
16
18
20
22
24
26
28
30
32
34
36
38
40

外形尺寸图 DIMENSIONS(mm)

性能及特点

- 单转指示表是高精度、高可靠性、比较测量用预防误读的指示表
- 采用特殊防震结构，具有很好的耐冲击性能
- Eliminate the possibility of reading errors due to miscounting
- Shock proof

主要技术参数 SPECIFICATIONS

货号 Nr.	型号 Model	分度值 Grad.(mm)	测量范围 Range (mm)
224-011	WL05	0.01	± 0.50mm
224-010	WL05	0.01	± 0.25mm



Pursuing
The Precision
Serving
The World

英制指示表 INCH DIAL INDICATORS

英制指示表 Inch Dial Indicators

01
03
05
07
09
11
13
A15
17
19
21
23
25
27
29
31
33
35
37
39



264-010

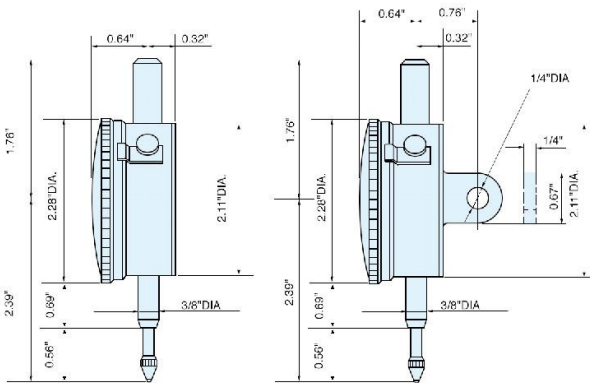
性能及特点

- 铝合金表体
- 宝石轴承
- 封闭式防尘帽
- 带表圈锁紧装置
- 外公差指示器，货号带"A"为内公差指示器
- 常规供货为金属耳环后盖

FEATURES

- Aluminium body
- Jeweled
- Anti-dirty cap
- With dial lock screw
- Outside tolerance hand
- Nr. "A" series with inside tolerance hand
- Metal lug back is valid for standard

外形尺寸图 DIMENSIONS(inch)



264-010A

主要技术参数 SPECIFICATIONS

货号 Nr.	型号 Model	分度值 Grad.(in)	测量范围 Range (in)	说明 Explanation
264-010	WL08	0.0001	0-0.05	外公差指示器 Outside tolerance hand
264-010A	WL08	0.0001	0-0.05	宽纹金属表圈 Broad knurl metal bezel 内公差指示器 Inside tolerance hand

英制指示表 INCH DIAL INDICATORS

英制指示表 Inch Dial Indicators



261-112A



261-112

性能及特点

- 铝合金表体
- 开式缓冲限位钉
- 货号带“A”系列为内公差指示器，其余为外公差指示器
- 带表圈锁紧装置
- 常规供货为金属耳环后盖

FEATURES

- Aluminium body
- Lifting screw with cushion rubber
- Nr."A"series with inside tolerance hand, others with outside tolerance hand
- With dial lock screw
- Metal lug back is valid for standard

主要技术参数 SPECIFICATIONS

货号 Nr.	型号 Model	分度值 Grad.(in)	测量范围 Range (in)	外形尺寸Dimensions (in)										说明 Explanation
				A	B	C	D	E	F	G	H	J		
261-110	WL073	0.001	0-0.25	1.48	2.54	∅2.28	0.64	0.76	0.69	0.71	∅2.11	0.32	外公差指示器 Outside tolerance hand	
261-111	WL072	0.001	0-0.5	1.48	2.74	∅2.28	0.64	0.76	0.69	0.91	∅2.11	0.32		
261-112	WL071	0.001	0-1	1.48	3.21	∅2.28	0.64	0.76	0.69	1.38	∅2.11	0.32		
261-110A	WL073	0.001	0-0.25	1.48	2.54	∅2.20	0.59	0.76	0.69	0.71	∅2.11	0.32	宽纹金属表圈 Broad knurl metal bezel	
261-111A	WL072	0.001	0-0.5	1.48	2.74	∅2.20	0.59	0.76	0.69	0.91	∅2.11	0.32	宽纹金属表圈 Broad knurl metal bezel	
261-112A	WL071	0.001	0-1	1.48	3.21	∅2.20	0.59	0.76	0.69	1.3	∅2.11	0.32		

02
04
06
08
10
12
14
A16
18
20
22
24
26
28
30
32
34
36
38
40

英制指示表 INCH DIAL INDICATORS

英制指示表 Inch Dial Indicators

01
03
05
07
09
11
13
15
A17
19
21
23
25
27
29
31
33
35
37
39



性能及特点

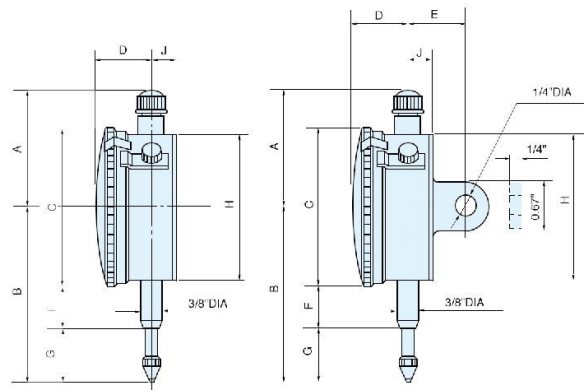
- 铝合金表体
- 开式缓冲限位钉
- 货号带“A”系列为宽纹表圈，内公差指示器
- 带表圈锁紧装置
- 263-110无转数小指针
- 常规供货为金属耳环后盖

FEATURES

- Aluminium body
- Lifting screw with cushion rubber
- Nr."A"series with inside tolerance hand, others with outside tolerance hand
- With dial lock screw
- Nr.263-110 without revolution hand
- Metal lug back is valid for standard

外形尺寸图 DIMENSIONS(inch)

262-112



主要技术参数 SPECIFICATIONS

货号 Nr.	型号 Model	分度值 Grad.(in)	测量范围 Range (in)	外形尺寸Dimensions (in)									说明 Explanation
				A	B	C	D	E	F	G	H	J	
262-110	WL103	0.0005	0-0.25	1.48	2.54	∅2.28	0.64	0.76	0.69	0.71	∅2.11	0.32	外公差指示器 Outside tolerance hand
262-111	WL102	0.0005	0-0.5	1.48	2.74	∅2.28	0.64	0.76	0.69	0.91	∅2.11	0.32	
262-112	WL101	0.0005	0-1	1.48	3.21	∅2.28	0.64	0.76	0.69	1.38	∅2.11	0.32	
263-110	WL10	0.0005	0-0.25	1.48	2.54	∅2.28	0.64	0.76	0.69	0.71	∅2.11	0.32	宽纹金属表圈 Broad knurl metal bezel
262-110A	WL103	0.0005	0-0.25	1.48	2.54	∅2.20	0.59	0.76	0.69	0.71	∅2.11	0.32	
262-111A	WL102	0.0005	0-0.5	1.48	2.74	∅2.20	0.59	0.76	0.69	0.91	∅2.11	0.32	
262-112A	WL101	0.0005	0-1	1.48	3.21	∅2.20	0.59	0.76	0.69	1.38	∅2.11	0.32	

英制指示表 INCH DIAL INDICATORS

大量程英制指示表 Long Range Inch Dial Indicators

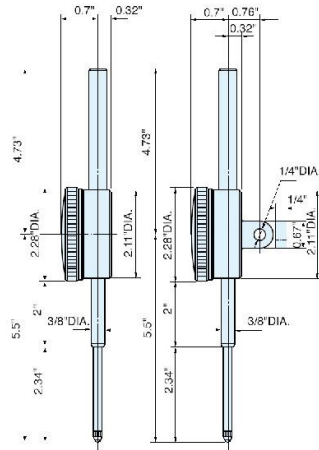
性能及特点

- 铝合金表体
- 宝石轴承
- 中二针型
- 带表圈锁紧装置
- 封闭式防尘帽
- 钢制表圈有白色或黑色两种
- 常规供货为金属耳后盖

FEATURES

- Aluminium body
- Jeweled
- With revolution counter
- With dial lock screw
- Anti-dirty cap
- White or black bezel
- Metal lug back is valid for standard

外形尺寸图 DIMENSIONS(inch)



266-001

主要技术参数 SPECIFICATIONS

货号 Nr.	型号 Model	分度值 Grad.(in)	测量范围 Range (in)	说明 Explanation
266-001	WL20A	0.001	0-2	

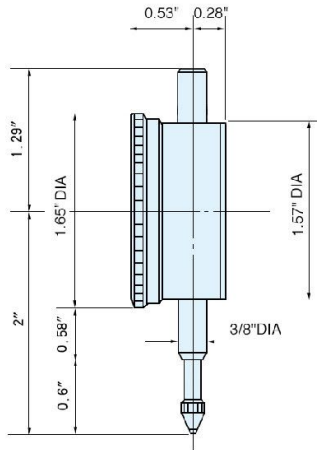
02
04
06
08
10
12
14
16
A18
20
22
24
26
28
30
32
34
36
38
40

英制指示表 INCH DIAL INDICATORS

小型英制指示表 Miniature Inch Dial Indicators

01
03
05
07
09
11
13
15
17
A19
21
23
25
27
29
31
33
35
37
39

外形尺寸图 DIMENSIONS (in)



265-000

性能及特点

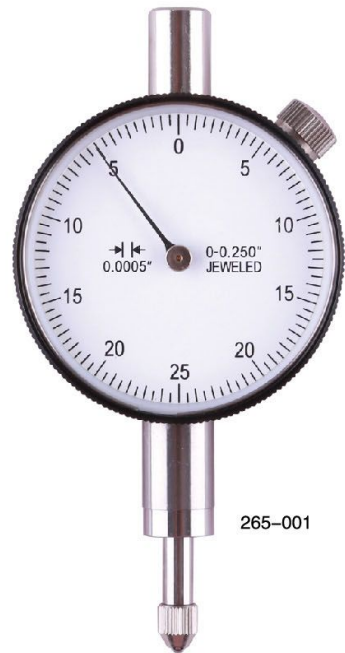
- 钢制表体
- 宝石轴承
- 无转数小指针
- 半封闭式防尘帽
- 常规供货为金属耳后盖

FEATURES

- Steel body
- Jeweled
- No revolution counter
- Semi-seal cap
- Metal lug back is valid for standard

主要技术参数 SPECIFICATIONS

货号	型号	分度值	测量范围
Nr.	Model	Grad.(in)	Range (in)
265-000	WL12	0.001	0-0.25
265-001	WL12	0.0005	0-0.25



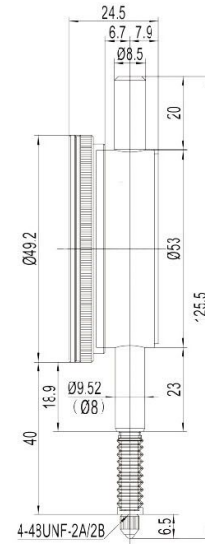
265-001

英制防水指示表
INCH WATER PROOF DIAL INDICATOR



222-111

外形尺寸图 DIMENSIONS(mm)



222-211

主要技术参数 SPECIFICATIONS

货号 Nr.	型号 Model	分度值 Grad.(in)	测量范围 Range (in)	防护等级 IP54
222-111	WL07F	0.0005	0-0.4	防护等级 IP54
222-211	WL07F	0.001	0-0.4	防护等级 IP54

02
04
06
08
10
12
14
16
18
A20
22
24
26
28
30
32
34
36
38
40

电子数显表 ELECTRONIC DIGITAL INDICATORS

01
03
05
07
09
11
13
15
17
19
21
23
25
27
29
31
33
35
37
39

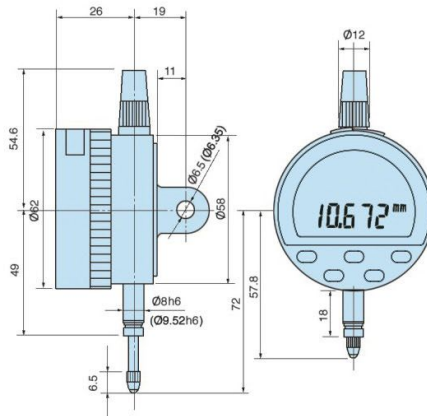
A21



122-102



142-212



性能及特点

- 采用非接触线性电容式测量系统
- 任意位置置零
- 任意位置进行公英制转换
- 置数功能
- 公差设定及合格品判定功能
- 串行输出口可与微机或打印机联接进行数据处理
- 常规供货为塑料平后盖
- 测量方向转换
- 跳动量测量
- 显示屏可旋转360°

FEATURES

- Non-contact Linear CAP measuring system
- Zeroing at any position
- Metric/inch switching
- Presetting
- Tolerance setting and indication of tolerance judgement
- Data output can interfacing with a computer or a printer via special converter to process data.
- Plastic flat back is valid for standard.
- Direction switch
- Measure jumpiness
- The display can be turned 360° as you desire

电子数显表 ELECTRONIC DIGITAL INDICATORS



132-212



152-212

02
04
06
08
10
12
14
16
18
20
A22
24
26
28
30
32
34
36
38
40

主要技术参数SPECIFICATIONS

货号Nr.	122(142)-102	122(142)-212	132(152)-112	132(152)-212
测量范围Range	0-12.5mm(0.5")	0-6.5mm(0.25")	0-6.5mm(0.25")	0-6.5mm(0.25")
分辨率Resolution	0.002mm(0.00005")	0.002mm(0.00005")	0.001mm(0.00005")	0.001mm(0.00005")
精度Accuracy	≤0.012mm(0.0005")	≤0.012mm(0.0005")	≤0.006mm(0.0002")	≤0.006mm(0.0002")
最大响应速度Max.response speed	1000mm/sec	1000mm/sec	1000mm/sec	1000mm/sec
最大测量力Max.measuring force	≤1.2N	≤1.2N	≤1.2N	≤1.2N
显示Display	6位液晶显示 LCD6-digit display			
工作电压Power source	3V CR2032 1 piece			
工作温度Operating temperature	0~ +35℃			
储存温度Storage temperature	-10℃~ +40℃			
相对湿度Relative humidity	φ≤80%			
说明Explanation	360° 旋转显示屏	360° 旋转显示屏 内径百分表专用	360° 旋转显示屏	360° 旋转显示屏 内径千分表专用
	360° Turnable display	360° Turnable displa	360° Turnable displa	360° Turnable displa

电子数显表

ELECTRONIC DIGITAL INDICATORS

01
03
05
07
09
11
13
15
17
19
21
25
27
29
31
33
35
37
39

A23



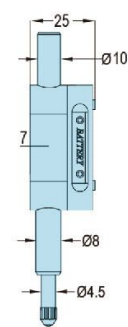
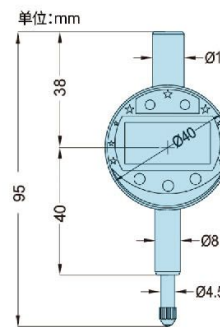
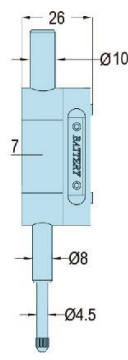
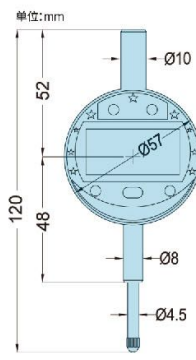
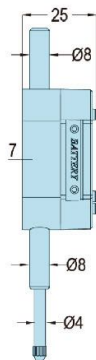
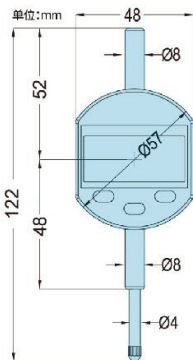
113-104



113-101



113-181



外形尺寸图 DIMENSIONS(mm)

性能及特点

- 任意位置置零
- 任意位置进行公英制转换
- 置数功能
- 串行输出口可与微机或打印机联接进行数据处理
- 常规供货为塑料平后盖
- 测量方向转换
- 3键、5键版本可选

FEATURES

- Zeroing at any position
- Metric/inch switching
- Presetting
- Data output can interfacing with a computer or a printer via special converter to process data.
- Plastic flat back is valid for standard.
- Direction switch
- 3-key and 5-key versions are optional

电子数显表

ELECTRONIC DIGITAL INDICATORS



113-131

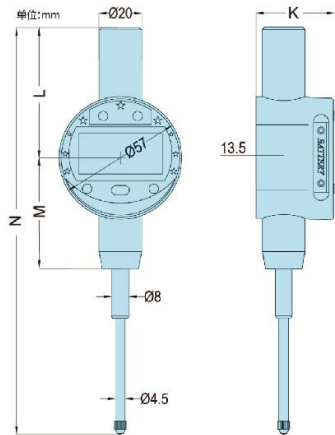


113-141



113-161

外形尺寸图 DIMENSIONS(mm)



02
04
06
08
10
12
14
16
18
20
22
A 24
26
28
30
32
34
36
38
40

主要技术参数 SPECIFICATIONS

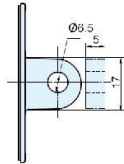
货号 Nr.	分辨率 Resolution	测量范围 Range (in)	外形尺寸Dimensions (in)				说明 Explanation
			M	N	L	K	
113-101	0.01mm/0.0005"	12.7mm/0.5"	尺寸见外形尺寸图				
113-131	0.01mm/0.0005"	30mm/1.18"	55	182	68	37	
113-141	0.01mm/0.0005"	50mm/2"	71	242	88	37	三按键 显示屏固定
113-161	0.01mm/0.0005"	100mm/4"	121	401	138	37	
113-171	0.01mm/0.0005"	150mm/6"	171	560	188	37	
113-181	0.01mm/0.0005"	8mm/0.3"	尺寸见外形尺寸图				三按键显示屏固定 Ø 42mm
113-104	0.01mm/0.0005"	12.7mm/0.5"	尺寸见外形尺寸图				五按键显示屏固定



附件 OPTIONAL ACCESSORIES

01
03
05
07
09
11
13
15
17
19
21
23
A25
27
29
31
33
35
37
39

三孔耳环后盖 Lug back with 3 holes 适用于产品 (货号)



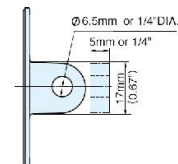
Applicable	Models (Nr.)	说明
211-010 (A)	211-011 (A) 211-012 (A)	铝合金材料 Alluminium
211-020 (A)	211-021 (A) 211-022 (A)	
212-010 (A)	212-011 (A) 212-012 (A)	
212-020 (A)	212-021 (A) 212-022 (A)	
216-010		

三孔平后盖 Flat back with 3 holes 适用于产品 (货号)



Applicable	Models (Nr.)	说明
211-010(A)	211-011(A) 211-012(A)	有塑料和金属(钢)两种形式 Plastic or steel
211-020(A)	211-021(A) 211-022(A)	
212-010(A)	212-011(A) 212-012(A)	
212-020(A)	212-021(A) 212-022(A)	
216-010		
217-100	217-101	

四孔耳环后盖 Lug back with 4 holes 适用于产品 (货号)



Applicable	Models (Nr.)	说明
111-101	111-102 122-102	铝合金材料 Alluminium
213-010	214-010	
213-120(A)	213-121(A) 213-122(A)	
215-111(A)	215-112(A) 216-013	
216-011	216-012 218-110(A)	
261-110(A)	261-111(A) 261-112(A)	
262-110(A)	262-111(A) 262-112(A)	
266-001(A)	264-010(A)	

四孔平后盖 Flat back with 4 holes 适用于产品 (货号)

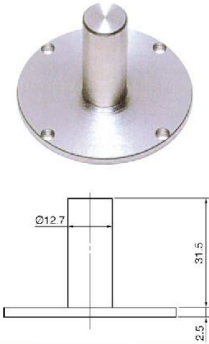


Applicable	Models (Nr.)	说明
111-101	111-102 122-102	有塑料和金属(钢)两种形式 Plastic or steel
213-010	214-010	
213-120(A)	213-121(A) 213-122(A)	
215-111(A)	215-112(A) 216-013	
216-011	216-012 218-110(A)	
261-110(A)	261-111(A) 261-112(A)	
262-110(A)	262-111(A) 262-112(A)	
266-001(A)	264-010(A)	

后盖附件 (来样加工) Back Covers (Produced to order)

02
04
06
08
10
12
14
16
18
20
22
24
A26
28
30
32
34
36
38
40

圆柱柄金属后盖 Post Back



螺纹金属后盖 Screw Back



可调金属后盖 Adjustable Back



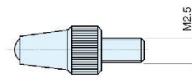
适用于各种公英制指示表用
Applicable to metric and inch dial indicators



压板钉 Screw

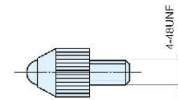


压板 Clamp



公制表测量头
Metric Contact Point

适用于公制指示表
Applicable to metric dial indicators



英制表测量头
Inch Contact Point

适用于英制指示表
Applicable to inch dial indicators

可供用户自己选用
The lifting lever set are optional



提升帽
Lifting cap



螺钉 Screw

按键 Lifting

提升钉
Lifting

该组合适用于带有半封闭式防尘帽, 量程在10mm以下的指示表。提升帽螺纹为M2.5。
Applicable to dial indicators with semi-seal cap.



螺钉 Screw

按键 Lifting

该组合适用于带有开式限位钉、量程在0.5"以下的指示表。提升钉螺纹为4-48UNF。
Applicable to dial indicators with lifting screw.

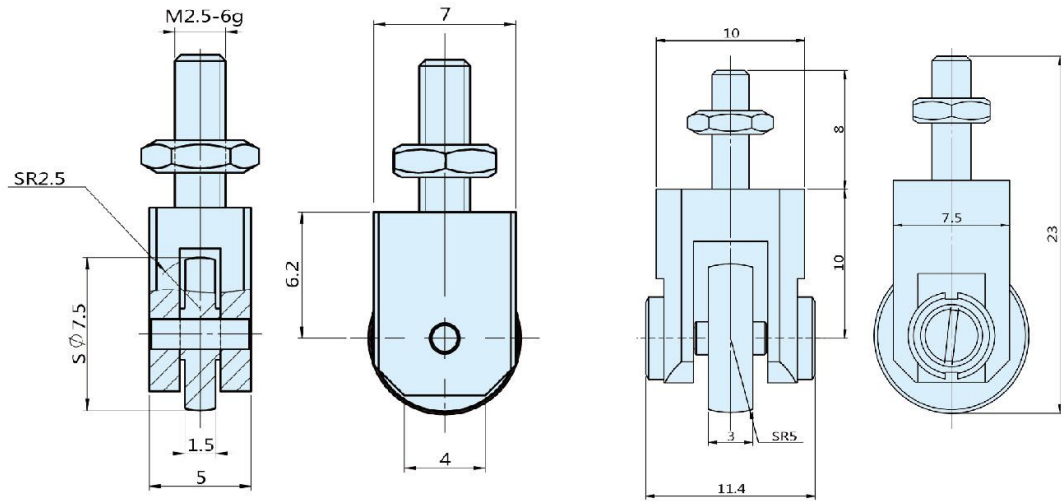


Pursuing
The Precision
Serving
The World

指示表测头附件

Optional Accessory For Dial Indicator

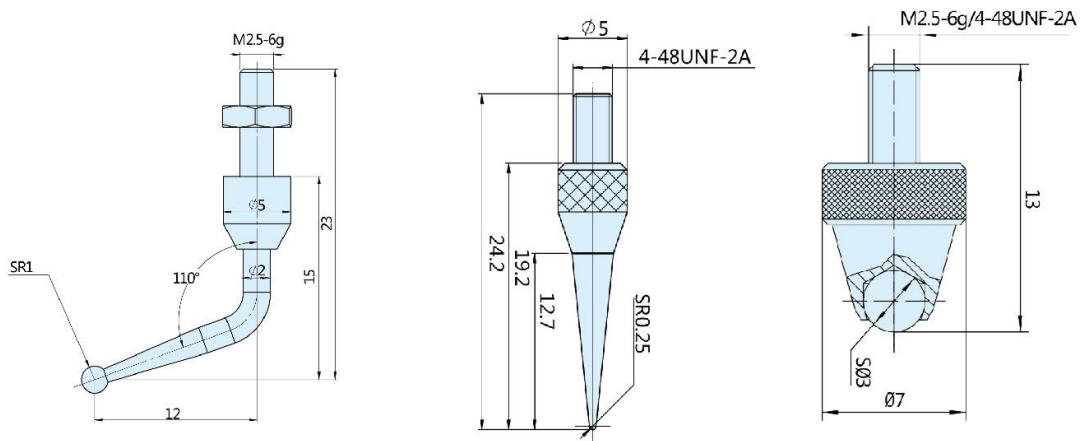
滚柱式测头外形尺寸图 DIMENSIONS(mm)



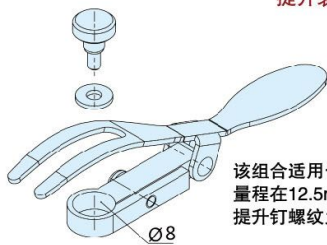
偏置式测头外形尺寸图
DIMENSIONS(mm)

0.5" 针球式测头外形尺寸图
DIMENSIONS(mm)

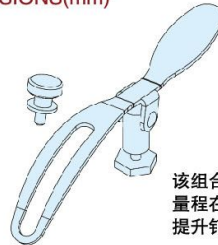
大直径测头外形尺寸图
DIMENSIONS(mm)



提升装置附件外形尺寸图 DIMENSIONS(mm)



该组合适用于开式限位螺钉，
量程在12.5mm以下的指示表。
提升钉螺纹为M2.5/4-48UNF-2A。

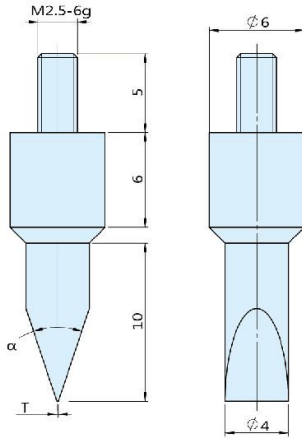


该组合适用于开式限位螺钉，
量程在25mm以下的指示表。
提升钉螺纹为M2.5/4-48UNF-2A。

01
03
05
07
09
11
13
15
17
19
21
23
25
29
31
33
35
37
39

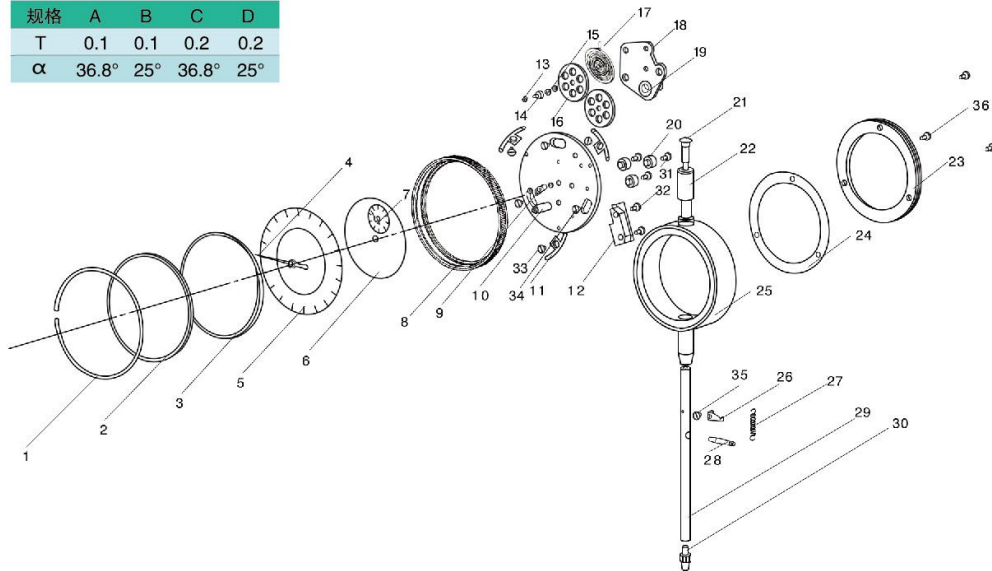
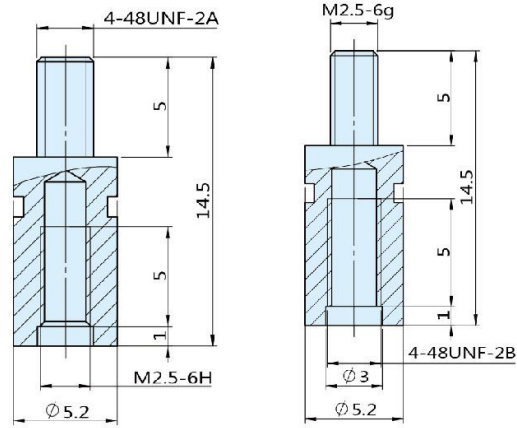
A27

刀口式测头外形尺寸图 DIMENSIONS(mm)



规格	A	B	C	D
T	0.1	0.1	0.2	0.2
α	36.8°	25°	36.8°	25°

公(英)制转换头外形尺寸图 DIMENSIONS(mm)



序号 Index No.	名称 Parts Name	序号 Index No.	名称 Parts Name	序号 Index No.	名称 Parts Name	序号 Index No.	名称 Parts Name
1	弹簧圈spring ring	10	转轴main gear	19	轴承套bear cover	28	导向销guide pin
2	玻璃圈dial cover	11	弹簧片tension spring	20	支柱stanchion	29	量杆spindle
3	衬圈washer	12	导向块guide plate	21	限位螺栓limited bolt	30	量头部件contact point assy
4	大指针long hand	13	宝石轴承jewel	22	外套cap	31	夹板螺钉screw
5	刻度盘dial plate	14	游丝转轴hair spring shaft	23	后盖back	32	导向块钉screw
6	转数盘counter dial plate	15	定位套cover	24	防尘垫dustproof cover	33	沉头螺钉screw
7	小指针counter hand	16	轮片flake gear	25	壳体部件main body	34	啮合钉screw
8	表圈bezel	17	游丝hair spring	26	限程板travel limit	35	限程板钉travel limit screw
9	中心齿轮center gear	18	夹板up gear plate	27	测力弹簧spring	36	后盖螺钉screw

02
04
06
08
10
12
14
16
18
20
22
24
26
A28
30
32
34
36
38
40



Pursuing
The Precision
Serving
The World

B01

03
05
07
09
11
13
15
17
19
21
23
25

杠杆指示表

Dial Test Indicator

B

公制杠杆指示表

Metric Dial Test Indicators

英制杠杆指示表

Inch Dial Test Indicators

公英制杠杆指示表

Metric-Inch Dial Test Indicators

大量程杠杆指示表

Long Range Dial Test Indicators



B02

04
06
08
10
12
14
16
18
20
22
24
26



杠杆指示表是利用机械传动系统，将测杆的位移转变为指示表指针的角位移，并由指示表进行读数的测量器具。主要用于测量工件的形状尺寸及位置精度。

执行标准：按中国标准GB/T8123 制造。还可按美国标准ASME B89.1.10M、日本工业标准JIS B7533和国际标准ISO9493制造。

The dial test indicator is used to shift the displacement of the contact point to angle displacement of the point on the dial plate by mechanical transmission system. It can measure the dimensions, shapes and position precisions of the workpieces. The dial test indicator are manufactured according to the standard GB/T8123, ASME B89.1.10M and JIS B7533 and ISO9493.

杠杆指示表功能特点：

1. 主体采用高质量黄铜和高强度的锌铝合金材料，关键零件选用非磁性材料，所有型号都具有高的抗磁性能和灵敏度。
2. 所有型号皆带钻、耐用、防震。
3. 杠杆测头的轴承采用微型球轴承。因此灵敏度高，指示稳定。
4. 测量力小，仅0.3 N，所以特别适合薄壁零件的测量，测头可选用硬质合金钢球，延长使用寿命。
5. 测量杆转动范围大，220°，主体有3处燕尾槽，便于装卡。
6. 根据要求可提供渐开线形状测头。

SPECIFICATION AND FUNCTION

1. Main bodies are machined from high quality brass or zinc—aluminium alloy. Crucial parts are made of special nonmagnetic materials, All models have high resistance to magnetism and sensitivity.
2. These models are all jeweled, durable, vibrationproof.
3. The bearing at the turning point of the contact point is a miniature bearing(pivot ball bearing). Accordingly, the indication is reliable with little effect of shaft clearance.
4. The measuring force is low, just 0.3N, so that these models are well suited for measurement with thin objects. The contact point is a carbide ball(optional), which has long durability.
5. The contact piont can be set at any desired angle within a circular arc of 220 degrees. have 3 doverails to suit attachments.
6. Involute—shaped contact points are produced to order.

杠杆指示表 DIAL TEST INDICATORS

公制杠杆指示表 Metric Dial Test Indicators

01

B03

05

07

09

11

13

15

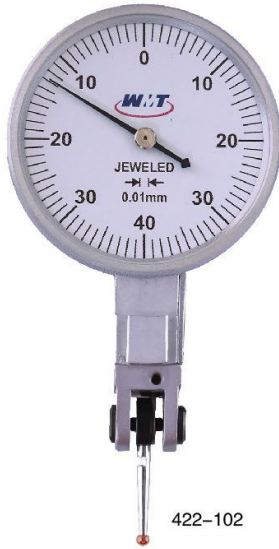
17

19

21

23

25



422-102



411-102



412-401



424-102

加长测头杠杆指示表



414-101



414-111

性能及特点

- 黄铜合金 (锌铝合金) 主体、抗磁性能高
- 机芯镶嵌红刚玉轴承, 防震耐用
- 测杆传动采用滚珠轴承结构
- 测头钢球可选用硬质合金、人造刚玉和普通碳钢
- 3处燕尾槽

端面杠杆指示表

Vertical Dial Test Indicators



419-102

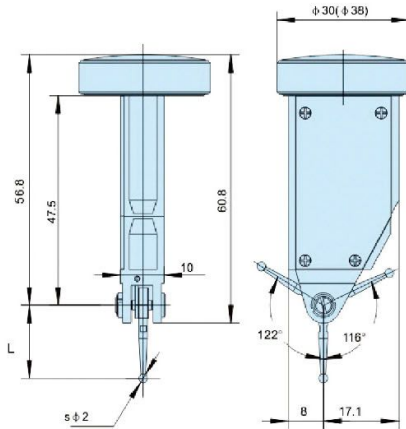
FEATURES

- High quality brass main bodies (Zinc aluminium alloy) high resistance to magnetism
- Jeweled, vibration proof, durable
- Pivot ball bearing
- Carbide, jewel or steel ball contact point
- Three dovetails

杠杆指示表 DIAL TEST INDICATORS

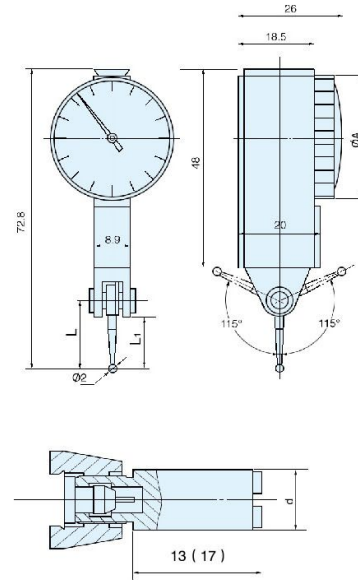
公制杠杆指示表 Metric Dial Test Indicators

外形尺寸图 DIMENSIONS(mm)



417-101

外形尺寸图 DIMENSIONS(mm)



02

B04

06

08

10

12

14

16

18

20

22

24

26

货号 Nr.	型号 Model	分度值 Grad.(mm)	量程 Range (mm)	尺寸Dimensions(mm)					备注
				A	d1	d2	L	L1	
411-101	WL88A	0.01	0.8	∅30	∅8	∅6	16.5	12.5	
411-102	WL88B	0.01	0.8	∅37.5	∅8	∅6	16.5	12.5	
412-401	WL86	0.002	0.2	∅30	∅8	∅6	16.0	12.0	
412-402	WL86	0.002	0.2	∅37.5	∅8	∅6	16.0	12.0	
414-101	WL88D	0.01	0.8	∅30	∅8	∅6	46.4	42.4	
414-102	WL88D	0.01	0.8	∅37.5	∅8	∅6	46.4	42.4	
414-111	WL88M	0.01	0.8	∅30	∅8	∅6	30.5	26.5	
414-112	WL88M	0.01	0.8	∅37.5	∅8	∅6	30.5	26.5	
416-101	WL88H	0.01	0.8	∅30	∅8	∅6	16.5	12.5	
416-102	WL88H	0.01	0.8	∅37.5	∅8	∅6	16.5	12.5	
417-101	WL88G	0.01	0.8	∅30	∅8	∅6	16.5	12.5	
417-102	WL88G	0.01	0.8	∅37.5	∅8	∅6	16.5	12.5	
418-101	WL88H	0.002	0.2	∅30	∅8	∅6	16.0	12.0	
418-102	WL88H	0.002	0.2	∅37.5	∅8	∅6	16.0	12.0	
419-101	WL88K	0.002	0.2	∅30	∅8	∅6	16.0	12.0	
419-102	WL88K	0.002	0.2	∅37.5	∅8	∅6	16.0	12.0	
420-101	WL88J	0.01	1.6	∅30	∅8	∅6	16.5	12.5	
420-102	WL88J	0.01	1.6	∅37.5	∅8	∅6	16.5	12.5	
422-101	WL88D	0.01	0.8	∅30	∅8	∅6	16.5	12.5	锌铝合金 Zinc-aluminium alloy
422-102	WL88D	0.01	0.8	∅37.5	∅8	∅6	16.5	12.5	锌铝合金 Zinc-aluminium alloy
424-101	WL91	0.01	0.5	∅30	∅8	∅6	16.5	12.5	
424-102	WL91B	0.01	0.5	∅37.5	∅8	∅6	16.5	12.5	



Pursuing
The Precision
Serving
The World

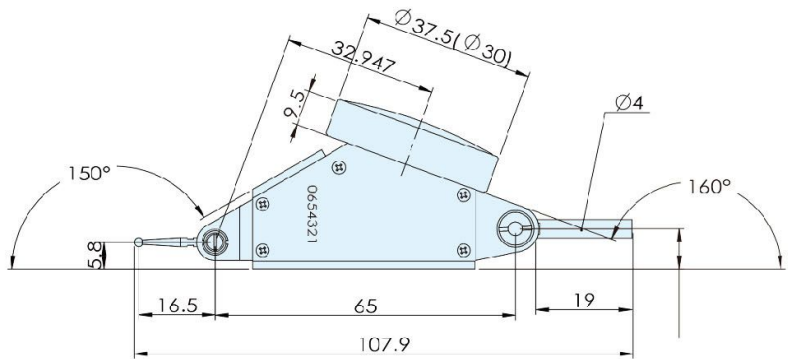
杠杆指示表 DIAL TEST INDICATORS

公制杠杆指示表 Metric Dial Test Indicators

大量程杠杆指示表刻度盘示意图



外形尺寸图 DIMENSIONS(mm)

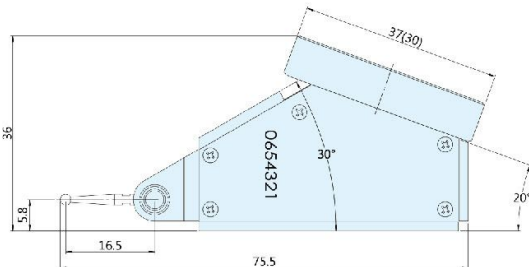


420-102

倾斜杠杆指示表

Tilted Face Dial Test Indicators

外形尺寸图 DIMENSIONS(mm)



416-102



418-102

01

03

B05

07

09

11

13

15

17

19

21

23

25

大量程倾斜杠杆指示表

Long Range Tilted Face Dial Test Indicators

杠杆指示表 DIAL TEST INDICATORS

锌铝合金杠杆指示表 Zinc-Aluminium Alloy Dial Test Indicators

02
04
B06
08
10
12
14
16
18
20
22
24
26



金属表圈可提供银灰色、黑色、蓝色、金色和红色等





Pursuing
The Precision
Serving
The World

杠杆指示表 DIAL TEST INDICATORS

英制杠杆指示表 Inch Dial Test Indicators

主要技术参数 SPECIFICATIONS

货号 Nr.	型号 Model	分度值 Grad.(mm)	量程 Range (in)	尺寸Dimensions(mm)					备注
				A	d1	d2	L	L1	
411-201	WL99-1	0.001"	0.03"	1.18"	3/8"	5/32"	0.62"	0.35"	Standard Type
411-202	WL99-1	0.001"	0.03"	1.48"	3/8"	5/32"	0.62"	0.35"	Standard Type
411-301	WL99-2	0.0005"	0.03"	1.18"	3/8"	5/32"	0.62"	0.35"	Standard Type
411-302	WL99-2	0.0005"	0.03"	1.48"	3/8"	5/32"	0.62"	0.35"	Standard Type
412-501	WL85	0.0001"	0.008"	1.18"	3/8"	5/32"	0.64"	0.37"	Standard Type
412-502	WL85	0.0001"	0.008"	1.48"	3/8"	5/32"	0.64"	0.37"	Standard Type
413-301	WL99-2	0.01mm/0.0005"	0.6mm/0.03"	1.48"	3/8"	5/32"	0.62"	0.35"	Standard Type
414-301	WL99-2	0.0005"	0.03"	1.18"	3/8"	5/32"	1.74"	1.47"	Long Styli Type
414-302	WL99-2	0.0005"	0.03"	1.48"	3/8"	5/32"	1.74"	1.47"	Long Styli Type
414-311	WL88M	0.0005"	0.03"	1.18"	3/8"	5/32"	1.14"	0.99"	Long Styli Type
414-312	WL88M	0.0005"	0.03"	1.48"	3/8"	5/32"	1.14"	0.99"	Long Styli Type
416-201	WL88H	0.001"	0.03"	1.18"	3/8"	5/32"	0.62"	0.35"	Tilted Face Type
416-202	WL88H	0.001"	0.03"	1.48"	3/8"	5/32"	0.62"	0.35"	Tilted Face Type
416-301	WL88H	0.0005"	0.03"	1.18"	3/8"	5/32"	0.62"	0.35"	Tilted Face Type
416-302	WL88H	0.0005"	0.03"	1.48"	3/8"	5/32"	0.62"	0.35"	Tilted Face Type
417-201	WL88G	0.001"	0.03"	1.18"	3/8"	5/32"	0.62"	0.35"	Vertical Type
417-202	WL88G	0.001"	0.03"	1.48"	3/8"	5/32"	0.62"	0.35"	Vertical Type
417-301	WL88G	0.0005"	0.03"	1.18"	3/8"	5/32"	0.62"	0.35"	Vertical Type
417-302	WL88G	0.0005"	0.03"	1.48"	3/8"	5/32"	0.62"	0.35"	Vertical Type
418-501	WL88H	0.0001"	0.008"	1.18"	3/8"	5/32"	0.64"	0.37"	Tilted Face Type
418-502	WL88H	0.0001"	0.008"	1.48"	3/8"	5/32"	0.64"	0.37"	Tilted Face Type
419-501	WL88K	0.0001"	0.008"	1.18"	3/8"	5/32"	0.64"	0.37"	Vertical Type
419-502	WL88K	0.0001"	0.008"	1.48"	3/8"	5/32"	0.64"	0.37"	Vertical Type
420-201	WL88J	0.001"	0.06"	1.18"	3/8"	5/32"	0.62"	0.35"	Long Range Tilted Type
420-202	WL88J	0.001"	0.06"	1.48"	3/8"	5/32"	0.62"	0.35"	Long Range Tilted Type
420-301	WL88J	0.0005"	0.06"	1.18"	3/8"	5/32"	0.62"	0.35"	Long Range Tilted Type
420-302	WL88J	0.0005"	0.06"	1.48"	3/8"	5/32"	0.62"	0.35"	Long Range Tilted Type
421-201	WL88N	0.001"	0.06"	1.18"	3/8"	5/32"	0.62"	0.35"	Long Range Vertical Type
421-202	WL88N	0.001"	0.06"	1.48"	3/8"	5/32"	0.62"	0.35"	Long Range Vertical Type
421-301	WL88N	0.0005"	0.06"	1.18"	3/8"	5/32"	0.62"	0.35"	Long Range Vertical Type
421-302	WL88N	0.0005"	0.06"	1.48"	3/8"	5/32"	0.62"	0.35"	Long Range Vertical Type
422-201	WL99-1	0.001"	0.03"	1.18"	3/8"	5/32"	0.62"	0.35"	锌铝合金 Zinc-aluminium alloy
422-202	WL99-1	0.001"	0.03"	1.48"	3/8"	5/32"	0.62"	0.35"	
422-301	WL99-2	0.0005"	0.03"	1.18"	3/8"	5/32"	0.62"	0.35"	
422-302	WL99-2	0.0005"	0.03"	1.48"	3/8"	5/32"	0.62"	0.35"	
423-301	WL99-2	0.01mm/0.0005"	0.6mm/0.03"	1.48"	3/8"	5/32"	0.62"	0.35"	
424-301	WL91	0.0005"	0.02"	1.18"	3/8"	5/32"	0.65"	0.49"	Standard Type
424-302	WL91B	0.0005"	0.02"	1.48"	3/8"	5/32"	0.65"	0.49"	Standard Type

01

03

05

B07

09

11

13

15

17

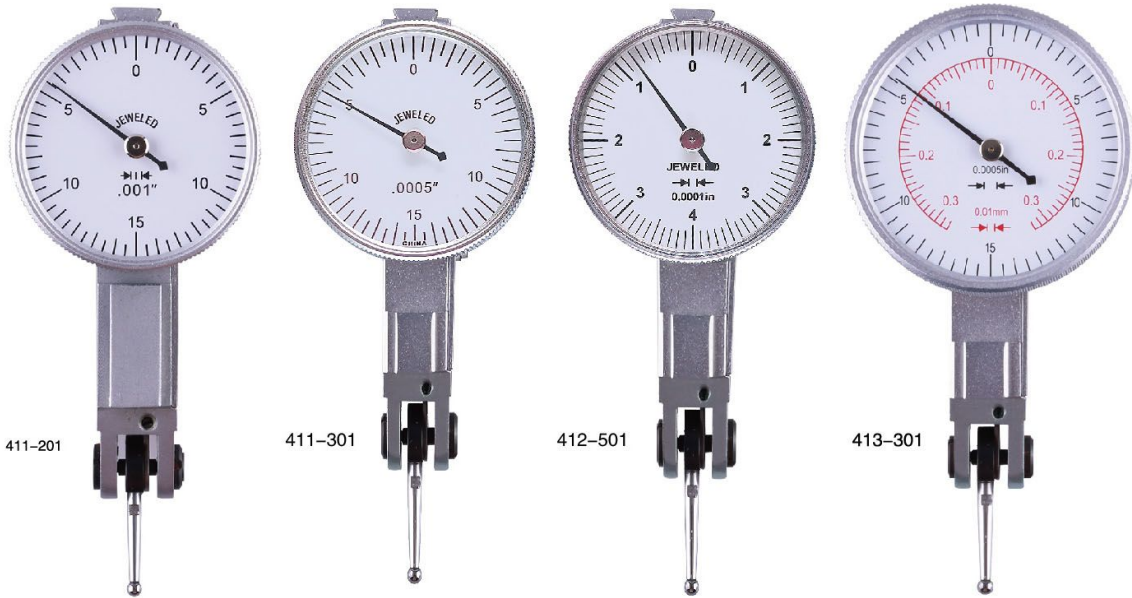
19

21

23

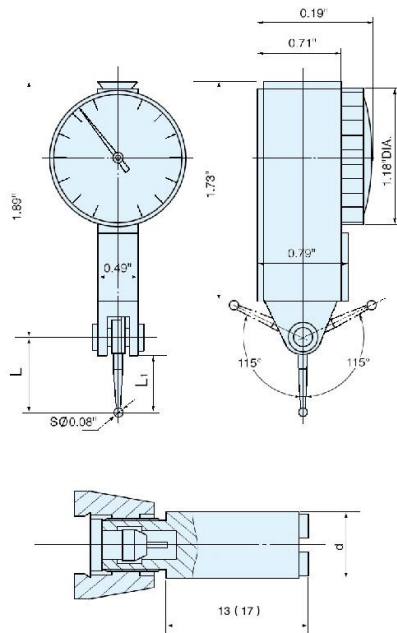
25

杠杆指示表 DIAL TEST INDICATORS 英制杠杆指示表 Inch Dial Test Indicators



02
04
06
B08
10
12
14
16
18
20
22
24
26

外形尺寸图 DIMENSIONS(inch)



424-301



Pursuing
The Precision
Serving
The World

杠杆指示表 DIAL TEST INDICATORS

英制杠杆指示表 Inch Dial Test Indicators

01
03
05
07
B09
11
13
15
17
19
21
23
25

英制大量程杠杆指示表

Inch Large Range Dial Test Indicators

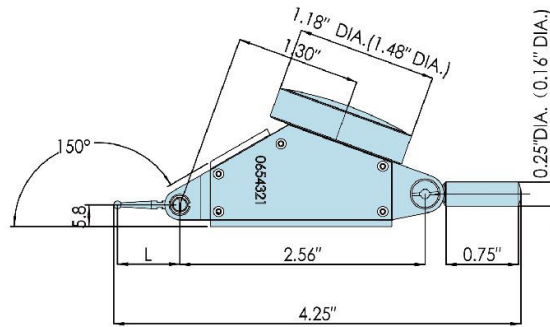


420-301



420-201

外形尺寸图 DIMENSIONS(inch)



英制倾斜杠杆指示表

Inch tilted face dial test indicators

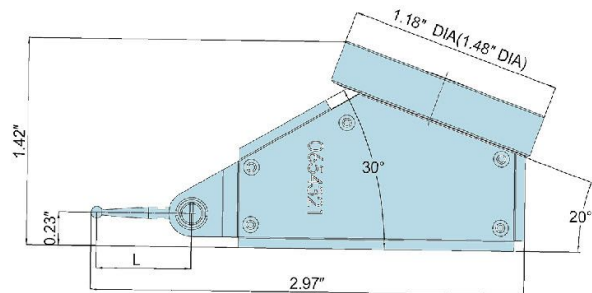


416-302



418-502

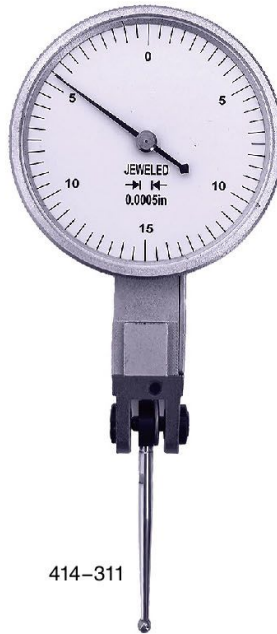
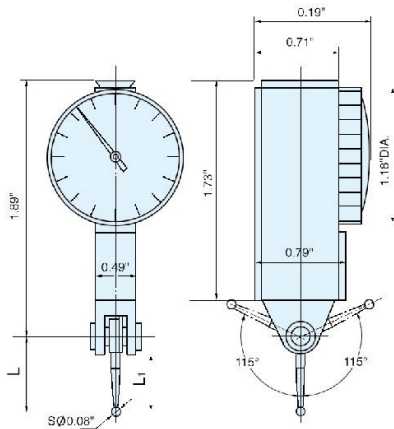
外形尺寸图 DIMENSIONS(inch)



杠杆指示表 DIAL TEST INDICATORS

英制加长测头杠杆指示表
Inch Long Styli Dial Test Indicators

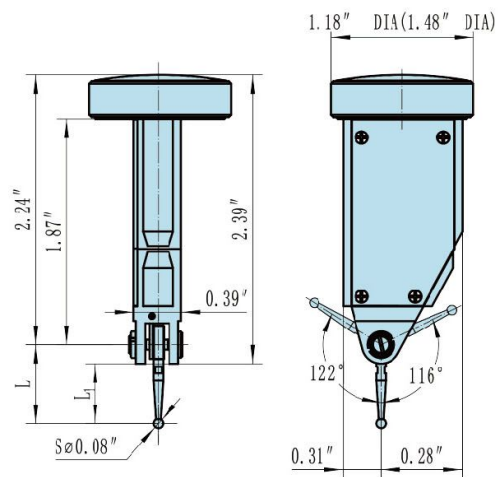
外形尺寸图 DIMENSIONS(inch)



02
04
06
08
B10
12
14
16
18
20
22
24
26

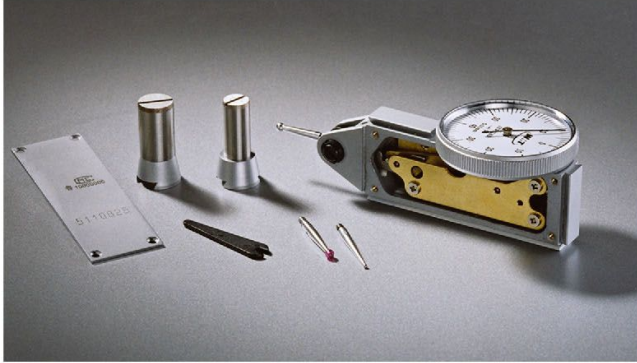
英制端面杠杆指示表
Inch Vertical Dial Test Indicators

外形尺寸图 DIMENSIONS(inch)

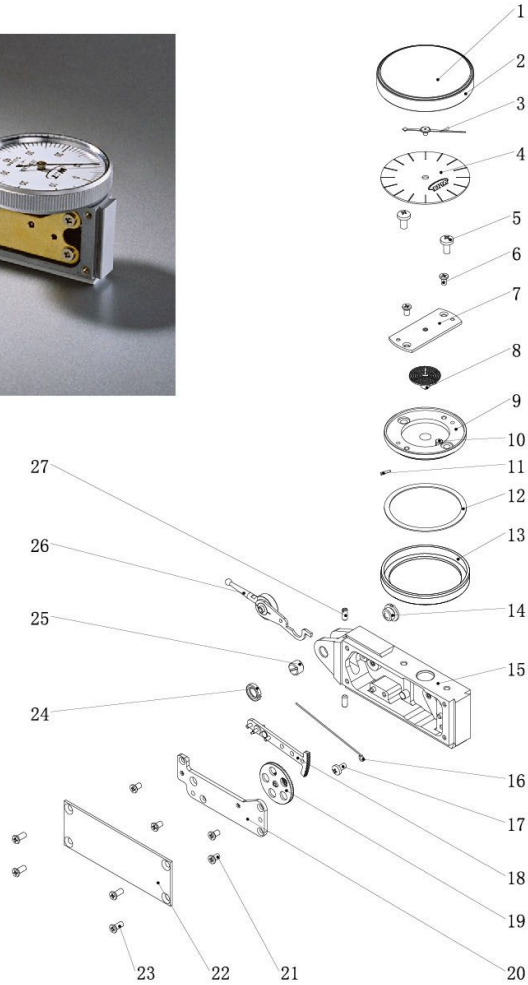
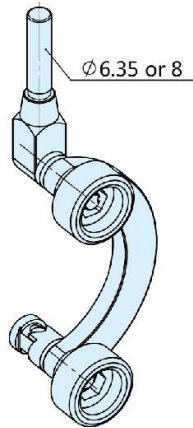


杠杆指示表附件 DIAL TEST INDICATORS ACCESSORIES

01
03
05
07
09
B 11
13
15
17
19
21
23
25



调心支架组件外形图 DIMENSIONS(mm)

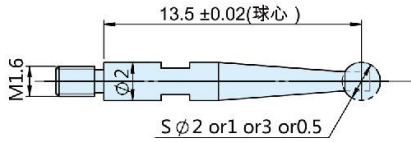


序号 Index No.	名称 Parts Name	备注 Note	序号 Index No.	名称 Parts Name	备注 Note	序号 Index No.	名称 Parts Name	备注 Note
1	表玻璃glass		10	游丝支柱spring stanchion		19	端面齿轮部件crown gear assy	千分需更换
2	表盖bezel		11	游丝销spring pin		20	上夹板部件top plate assy	
3	指针部件hand assy		12	弹簧圈tension spring		21	紧固螺钉screw for top plate	
4	刻度盘dial plate		13	回转盘outer ring		22	后盖板back	
5	固定盘紧固螺钉screw for inner ring		14	轴承B部件 B pivot bearing assy		23	紧固螺钉screw for back	
6	轴承板紧固螺钉screw for bear plate		15	主体部件main body assy	千分需更换	24	紧固螺母nut	
7	轴承板部件bear plate assy		16	测力弹簧spring		25	轴承A部件 A pivot bearing assy	
8	中心齿轮部件部件center gear assy	千分需更换	17	紧固螺钉screw for spring		26	杠杆测头部件contact point assy	千分需更换
9	固定盘部件inner ring assy	千分需更换	18	杠杆齿轮部件sector gear assy	千分需更换	27	行程螺钉stop screw	

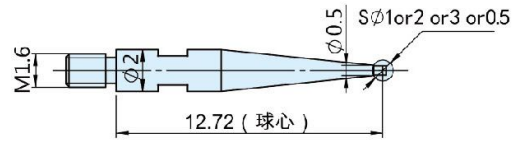
杠杆指示表附件

DIAL TEST INDICATORS ACCESSORIES

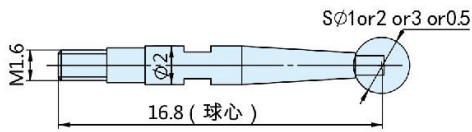
公制百分测头杆外形尺寸图 DIMENSIONS(mm)



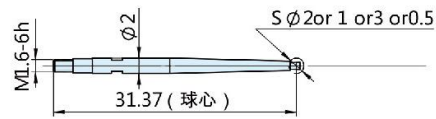
英制测头杆外形尺寸图 DIMENSIONS(mm)



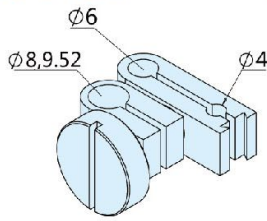
公制千分测头杆外形尺寸图 DIMENSIONS(mm)



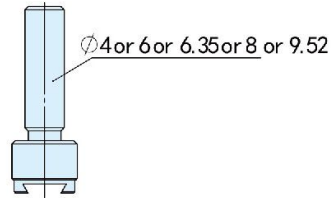
公制加长测头杆WL88M外形尺寸图 DIMENSIONS(mm)



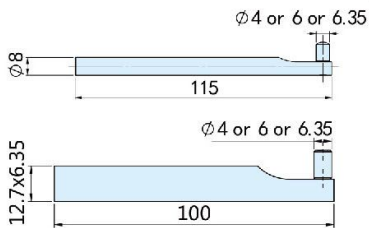
紧固器组件外形尺寸图 DIMENSIONS(mm)



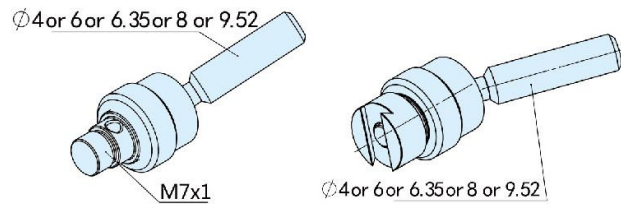
不锈钢夹持柄组件外形尺寸图 DIMENSIONS(mm)



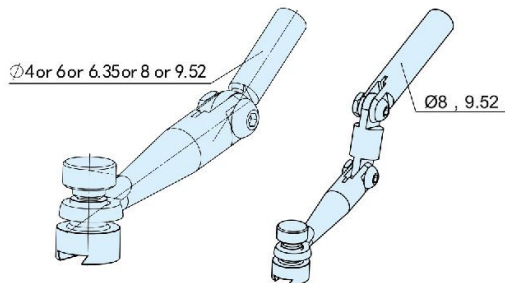
夹持棒(扁)外形尺寸图 DIMENSIONS(mm)



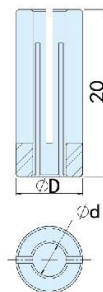
万能支架带螺柱(燕尾)外形尺寸图 DIMENSIONS(mm)



单(双)臂支架外形尺寸图 DIMENSIONS(mm)



公英制转换套外形尺寸图 DIMENSIONS(mm)



规格	d	D
4-6	4	6
4-6.35	4	6.35
4-8	4	8
4-9.52	4	9.52
6-8	6	8
6.35-8	6.35	8
6.35-9.52	6.35	9.52
8-9.52	8	9.52

02
04
06
08
10
12
14
16
18
20
22
24
26

B 12



Pursuing
The Precision
Serving
The World

C01

03
05
07
09
11
13
15
17
19
21
23
25

内径指示表 Dial Bore Gauges

C

公制内径指示表

Metric Dial Bore Gauges

英制内径指示表

Inch Dial Bore Gauges

数显内径指示表

Digital Dial Bore Gauges

加长内径指示表

Long Type Dial Bore Gauges

涨簧式内径百分表

Expanding Head Bore Indicator

可调式内径量表标定仪

Adjustable Inner Diameter Gauge Calibrator



公制内径指示表 METRIC DIAL BORE GAUGES



内径百分表功能及特点:

1. 规格品种齐全，测量范围4-1000mm，每一规格可按不同测量深度供货。
2. 先进的结构设计，尤其6-10mm、10-18mm和18-35mm小规格内径表结构及性能居国内领先地位。35-50mm和50-160mm，作为我们的主打产品，采用简易，但可靠的护桥导向设计，确保大大延长其使用寿命。
3. 工作部位全部采用高硬耐磨材料。

SPECIFICATION AND FUNCTION:

1. Wide measuring range : 4-1000mm, gauges with different measuring depth are all available upon demand.
2. Advanced configuration design, especially the specification of 6-10mm, 10-18mm and 18-35mm are unique and keep head. 35-50mm and 50-160mm, as our mainstream, have simple guide design and ensure stable accuracy over a long period of time.
3. Working parts are all made from hardening material.



C02

- 04
- 06
- 08
- 10
- 12
- 14
- 16
- 18
- 20
- 22
- 24
- 26
- 28
- 30
- 32
- 34
- 36
- 40



Pursuing
The Precision
Serving
The World

公制内径千分表 METRIC DIAL BORE GAUGES

01

C03

05

07

09

11

13

15

17

19

21

23

25

27

29

31

33

35

37

39



性能及特点

- 翼轮式定位护桥
- 311-204为板式定位护桥
- 311-205为筒式定位护桥
- 固定式或插置式可换测头
- 配0-1mm千分表

FEATURES

- Wheel guide
- 311-204 is with plate guide
- 311-205 is with canister
- Fixed or inserting anvils
- With 0-1mm indicator

主要技术参数 SPECIFICATIONS

货号 Nr.	型号 Model	分度值 Grad.(mm)	测量范围 Range (mm)	测量深度 Depth (mm)	附件 (个) Accessories		
					可换测头 Anvil	调整垫片 Washers	接杆 Sub-anvils
311-203	WL022	0.001	6-10	40	9		
311-204	WL023	0.001	10-18	100	9	1	
311-205	WL024	0.001	18-35	150	9	2	
313-206	WL025	0.001	35-50	150	4	4	
313-208	WL026	0.001	50-160	150	12	4	1
313-209	WL028	0.001	160-250	400	5	5	1
313-210	WL029	0.001	250-450	400	5	5	2
314-210	WL027	0.001	100-250	200	4		1

主体展示图 MAIN BODY DETAILS

313-208



311-203



311-204



311-205

英制内径万分表 INCH DIAL BORE GAUGES

02

C04

06

08

10

12

14

16

18

20

22

24

26

28

30

32

34

36

40

性能及特点

- 翼轮式定位护桥
- 311-504为板式定位护
- 311-505为筒式定位护桥
- 固定式或插置式可换测头

FEATURES

- Wheel guide
- 311-504 is with plate guide
- 311-505 is with canister guide
- Fixed or inserting anvils

主要技术参数 SPECIFICATIONS

货号 Nr.	型号 Model	分度值 Grad.(in)	测量范围 Range (in)	测量深度 Depth (in)	附件 (个) Accessories		
					可换测头 Anvil	调整垫片 Washers	接杆 Sub-anvils
311-503	WL042	0.0001	0.24-0.40	1.57	9		
311-504	WL043	0.0001	0.40-0.70	4	9	1	
311-505	WL044	0.0001	0.70-1.5	6	11	2	
313-506	WL045	0.0001	1.4-2.4	6	6	4	
313-508	WL046	0.0001	2.0-6.0	6	11	4	1
313-509	WL048	0.0001	6.0-10.0	16	6	6	1
313-510	WL049	0.0001	10.0-16.0	16	6	6	2

主体展示图 MAIN BODY DETAILS



311-503



311-504



311-505

313-506



可调式内径量表标定位

ADJUSTABLE INNER DIAMETER GAUGE CALIBRATOR

01

03

C05

07

09

11

13

15

17

19

21

23

25

27

29

31

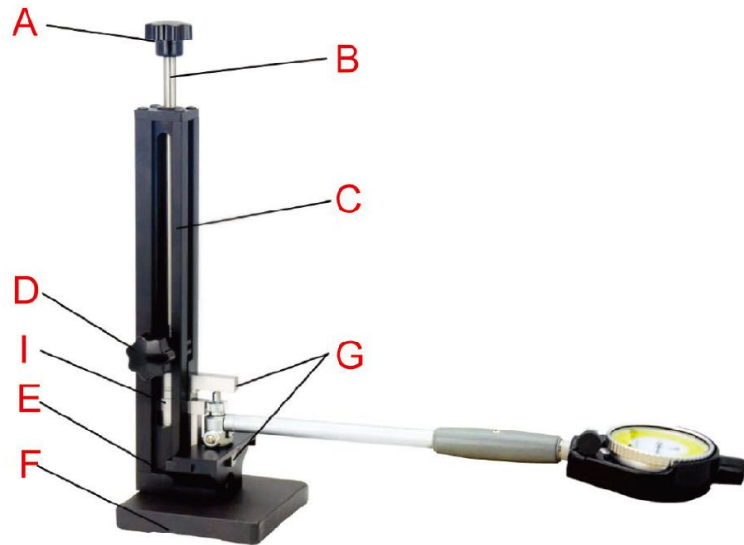
33

35

37

39

- A - 微调旋钮 Fine adjust knob
- B - 压杆 Pressure bar
- C - 夹持杆 Stand
- D - 锁紧旋钮 Fastening knob
- E - 辅助测台 Supporting anvil
- F - 基座 Base
- G - 平行测量爪 (2pcs) Flat Jaw
- H - 辅助压板 Supporting plate
- I - 量块 (33pcs/mm) Gageblock



(此产品不含内径量表)

注意

1. 为达到较高的测量精度，在使用之前，请将量块和平行测量爪清理干净。
2. 在上下摇动内径量表时，应尽可能保持表的上下垂直摇动，否则会影响标定结果。建议最少重复标定一次以确定其标定结果的重要性。

货号 Nr.	精度 Precision (μm)	测量范围 Range (mm)	块规数量 Block gauge quantity
325-101	± 1.2	35-160	33
325-102	± 1.2	150-500	可选配

数显内径指示表 DIGITAL DIAL BORE GAUGES

02

04

C06

08

10

12

14

16

18

20

22

24

26

28

30

32

34

36

40

性能及特点

- 翼轮式定位护桥
- 325-104为板式定位护桥
- 325-105为筒式定位护桥
- 固定式或螺纹式可换测头
- 小数点后第三位为估读值

FEATURES

- Wheel guide
- 325-104 is with plate guide
- 325-105 is with canister
- Fixed or inserting anvils
- The third place after the decimal point is estimated reading

325-104



325-108



主要技术参数 SPECIFICATIONS

货号 Nr.	型号 Model	分度值 Grad.(mm)	测量范围 Range (mm)	测量深度 Depth (mm)	附件(个) Accessories	
					可换测头 Anvil	接杆 Sub-anvils
325-103	WL002A	0.01mm	6-10mm	40	9	
325-104	WL003A	0.01mm	10-18mm	100	9	
325-105	WL004D	0.01mm	18-35mm	150	9	
325-106	WL005B	0.01mm	35-50mm	150	3	
325-107	WL006B	0.01mm	50-100mm	150	5	
325-108	WL006B	0.01mm	50-160mm	150	5	1
325-109	WL008A	0.01mm	160-250mm	250	5	
325-110	WL009A	0.01mm	250-450mm	250	5	1

数显内径指示表 DIGITAL DIAL BORE GAUGES

01

03

05

C07

09

11

13

15

17

19

21

23

25

27

29

31

33

35

37

39

性能及特点

- 翼轮式定位护桥
- 323-104为板式定位护桥
- 323-105为筒式定位护桥
- 固定式或插置式可换测头

FEATURES

- Wheel guide
- 323-104 is with plate guide
- 323-105 is with canister
- Fixed or inserting anvils

主要技术参数 SPECIFICATIONS

货号 Nr.	型号 Model	分度值 Grad.(mm)	测量范围 Range (mm)	测量深度 Depth (mm)	附件 (个) Accessories			公制数显表 规格
					可换测头 Anvil	调整垫片 Washers	接杆 Sub-anvils	
323-103	WL022	0.002	6-10	40	9			配122-212
323-104	WL023	0.002	10-18	100	9	1		
323-105	WL024	0.002	18-35	150	9	2		
323-106	WL025	0.002	35-50	150	4	4		
323-108	WL026	0.002	50-160	150	12	4	1	
323-109	WL028	0.002	160-250	250	5	5	1	
323-110	WL029	0.002	250-450	250	5	5	2	
324-103	WL002A	0.001	6-10	40	9			配132-212
324-104	WL003A	0.001	10-18	100	9	1		
324-105	WL004D	0.001	18-35	150	9	2		
324-106	WL005A	0.001	35-50	150	4	4		
324-108	WL006A	0.001	50-160	150	12	4	1	
324-109	WL008B	0.001	160-250	400	5	5	1	
324-110	WL009B	0.001	250-450	400	5	5	2	



主体展示图 MAIN BODY DETAILS



323-105



323-106



323-108

公制内径百分表 METRIC DIAL BORE GAUGES



性能及特点

- 小规格内径表
- 配0-3mm小型指示表
- 固定式可换测头
- 311-104为板式定位护桥

FEATURES

- Dial bore gauge for small dimensions
- Equipped with 0-3mm miniature dial indicator
- Fixed anvils
- Nr.311-104 is with board guide

主体展示图 MAIN BODY DETAILS



主要技术参数 SPECIFICATIONS

货号 Nr.	型号 Model	分度值 Grad. (mm)	测量范围 Range (mm)	测量深度 Depth (mm)	附件(个) Accessories	
					可换测头 Anvils	调整垫片 Washers
311-103	WL002A	0.01	6-10	40	9	
311-104	WL003A	0.01	10-18	100	9	1

02
04
06
C08
10
12
14
16
18
20
22
24
26
28
30
32
34
36
40

公制内径百分表 METRIC DIAL BORE GAUGES

01

03

05

07

C09

11

13

15

17

19

21

23

25

27

29

31

33

35

37

39

性能及特点

- 配置普通型百分表
- 311-105为筒式定位护桥固定式可换测头
- 312-105为板式定位护桥、螺纹式可换测头

FEATURES

- Equipped with 0-3mm universal dial indicator
- Nr.311-105 is with canister guide and fixed anvils
- Nr.312-105 is with plate guide and screw anvils

主体展示图 MAIN BODY DETAILS



312-105



311-105



312-105



311-105

主要技术参数 SPECIFICATIONS

货号 Nr.	型号 Model	分度值 Grad.(mm)	测量范围 Range(mm)	测量深度 Depth(mm)	附件(个) Accessories	
					可换测头 Anvils	调整垫片 Washers
312-105	WL004C	0.01	18-35	125	7	
311-105	WL004D	0.01	18-35	150	9	2

公制内径百分表 (螺纹式可换测头)

METRIC DIAL BORE GAUGES (SCREW ANVILS TYPE)



性能及特点

- 配0-3mm普通型指示表
- 翼轮式定位护桥
- 螺纹式可换测头, 调整方便

FEATURES

- Equipped with 0-3mm universal dial indicator
- Wheel guide
- With screw anvils,convenience to set the dimension

主要技术参数 SPECIFICATIONS

货号 Nr.	型号 Model	分度值 Grad. (mm)	测量范围 Range (mm)	测量深度 Depth (mm)	附件(个) Accessories	
					可换测头 Anvils	接杆 Sub-anvils
312-106	WL005B	0.01	35-50	150	3	
312-107	WL006B	0.01	50-100	150	5	
312-108	WL006B	0.01	50-160	150	5	1
312-109	WL008A	0.01	160-250	250	5	
312-110	WL009A	0.01	250-450	250	5	1
312-111	WL007A	0.01	100-250	200	4	1

主体展示图 MAIN BODY DETAILS



02
04
06
08
C10
12
14
16
18
20
22
24
26
28
30
32
34
36
40

公制内径百分表 (插置式可换测头) METRIC DIAL BORE GAUGES (INSERTING ANVILS TYPE)

01

03

05

07

09

C11

13

15

17

19

21

23

25

27

29

31

33

35

37

39



性能及特点

- 配0-3mm普通型指示表
- 翼轮式定位护桥
- 插置式可换测头, 调整方便

FEATURES

- Equipped with 0-3mm universal dial indicator
- Wheel guide
- Inserting anvils, convenience to set the dimension

主要技术参数 SPECIFICATIONS

货号 Nr.	型号 Model	分度值 Grad.(mm)	测量范围 Range (mm)	测量深度 Depth (mm)	附件 (个) Accessories		
					可换测头 Anvil	调整垫片 Washers	接杆 Sub-anvils
313-106	WL005A	0.01	35-50	150	4	4	
313-107	WL006A	0.01	50-100	150	11	4	
313-108	WL006A	0.01	50-160	150	12	4	1
313-109	WL008B	0.01	160-250	250	5	5	1
313-110	WL009B	0.01	250-450	250	5	5	2
313-112	WL101	0.01	400-800	400	5	5	4
313-113	WL101	0.01	400-600	400	5	5	3
313-114	WL101	0.01	600-800	400	5	5	3

主体展示图 MAIN BODY DETAILS



313-112



313-108

公制龙眼式内径百分表

METRIC DRAGON EYE GUIDE BALL STYLE DIAL BORE GAUGE

性能及特点

- 配0-3mm普通型指示表
- 钢球式定位护桥
- 螺纹式可换测头，调整方便

FEATURES

- Equipped with 0-3mm universal dial indicator
- Ball guide
- With screw anvils,convenience to set dimension

主体展示图 MAIN BODY DETAILS



314-110



319-108



319-106



314-110

主要技术参数 SPECIFICATIONS

货号 Nr.	型号 Model	分度值 Grad. (mm)	测量范围 Range (mm)	测量深度 Depth (mm)	附件 (个) Accessories	
					可换测头 Anvil	接杆 Sub-anvils
314-110	WL007A	0.01	100-250	400	4	1
319-106	WL005W	0.01	35-50	150	6	
319-108	WL006W	0.01	50-160	150	6	1
319-109	WL008W	0.01	160-250	150	3	

02
04
06
08
10
C12
14
16
18
20
22
24
26
28
30
32
34
36
40

公制加长和弯杆内径百分表

METRIC EXTENSION AND BENDING DIAL BORE GAUGES

01
03
05
07
09
11
C13
15
17
19
21
23
25
27
29
31
33
35
37
39

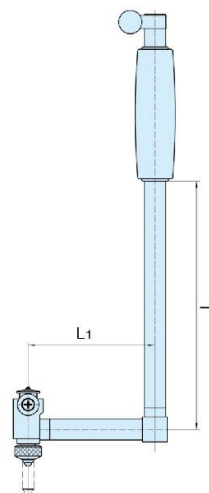


312-106A

主要技术参数 SPECIFICATIONS

测量范围 Range(mm)	货号/测量深度Nr./Depth			
	0.5m	1.0m	1.5m	2.0m
35-50	312-106A	312-106B	312-106C	312-106D
50-100	312-107A	312-107B	312-107C	312-107D
50-160	312-108A	312-108B	312-108C	312-108D
160-250	312-109A	312-109B	312-109C	312-109D
250-450	312-110A	312-110B	312-110C	312-110D
450-700		316-110B	316-110C	316-110D

外形尺寸图 DIMENSICNS(MM)



315-108

- 用于箱体内腔孔径及狭小空间处孔径的测量
- For inside measurement of small holes

主要技术参数 SPECIFICATIONS

货号 Nr.	型号 Model	分度值 Grad.(mm)	测量范围 Range(mm)	附件 (个) Accessories			
				L	L1	可换测头	调整垫片 接杆
315-107	WL006D	0.01	50-100	150	76.2	11	4
315-108	WL006D	0.01	50-160	150	76.2	12	4 1
315-109	WL008D	0.01	160-250	250	100	5	5 1
315-110	WL009D	0.01	250-450	250	100	5	5 2

大活动测头行程内径百分表

DIAL BORE GAUGES WITH LONG TRAVEL OF MEASURING ROD



316-105



316-110

性能及特点

- 配0-10mm普通型指示表
- 活动测头行程大
- 固定式可换测头

FEATURES

- Equipped with 0-10mm universal dial indicator
- Contact point's traveling rang is large
- With inserting anvils,convenience to set the dimension

主体展示图 MAIN BODY DETAILS



317-101

主要技术参数SPECIFICATIONS

货号 Nr.	型号 Model	分度值 Grad (mm)	测量范围 Range (mm)	活动测头行程 Travel of Measuring Rod	测量深度 Depth (mm)	附件(个)Accessories		
						可换测头	调整垫片	接杆
316-105	WL054	0.01	18-50	1.5	150	9	2	1
317-102	WL103	0.01	30-100	1.8	150	5	3	2
316-106	WL055	0.01	50-100	4	200	11	2	
317-101	WL102	0.01	100-300	3	250	6	4	2
316-107	WL056	0.01	100-160	4	300	7	4	
316-108	WL056	0.01	160-250	4	400	5	5	2
316-109	WL057	0.01	250-450	6	500	5	5	2
316-110	WL058	0.01	450-700	8	500	5	5	4
316-111	WL059	0.01	700-1000	8	500	5	5	5
316-112	WL059	0.01	800-1000	8	500	5	5	5

02
04
06
08
10
12
C14
16
18
20
22
24
26
28
30
32
34
36
40

涨簧式内径百分表

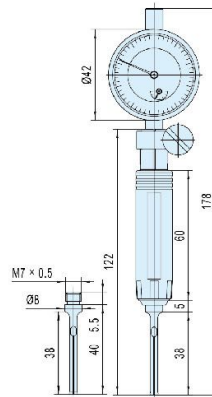
EXPANDING HEAD BORE DIAL INDICATOR

性能及特点

- 特小规格涨簧内径表
- 配小型表217-100或数显表122-212

FEATURES

- Dial bore gauge for very small holes
- Equipped with 217-100 miniature dial indicator or 122-212 digital indicator



外形尺寸图 DIMENSIONS(mm)



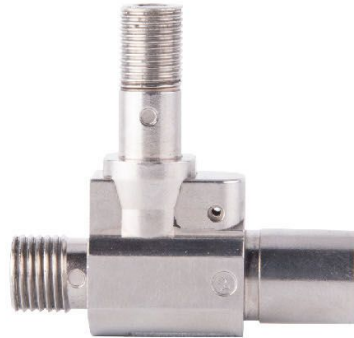
318-101

主要技术参数 SPECIFICATIONS

货号 Nr.	型号 Model	分度值 Grad (mm)	测量范围 Range (mm)	测量深度 Depth (mm)	附件(个)Accessories		备注
					可换测头	扳手	
318-101	WL001	0.01	4-6	35	4	1	
318-201	WL001	0.002	4-6	35	4	1	配数显表

整体不锈钢高端内径百分表

WHOLE STAINLESS MAIN BODY HIGH QUALITY DIAL BORE GAUGE



320-108

主要技术参数 SPECIFICATIONS

货号 Nr.	型号 Model	分度值 Grad.(mm)	测量范围 Range (mm)	测量深度 Depth (mm)	附件(个) Accessories		
					可换测头 Anvil	调整垫片 Washers	接杆 Sub-an
320-108	WL006E	0.01	50-160	150	12	4	1



01
03
05
07
09
11
13
C15
17
19
21
23
25
27
29
31
33
35
37
39

公制内径指示表 METRIC DIAL BORE GAUGES

附件 Accessory

附件图 Accessory figure



可换测头 Anvils

主要技术参数 SPECIFICATIONS

货号 Nr.	分度值 Grad.(mm)	测量范围 Range(mm)	测头数量 Anvils quantity	可换测头量限 Anvils Range(mm)								
				No.1	No.2	No.3	No.4	No.5	No.6	No.7	No.8	No.9
311-103	0.01	6-10	9	6	6.5	7	7.5	8	8.5	9	9.5	10
311-203	0.001	6-10	9	6	6.5	7	7.5	8	8.5	9	9.5	10
323-103	0.002	6-10	9	6	6.5	7	7.5	8	8.5	9	9.5	10
324-103	0.001	6-10	9	6	6.5	7	7.5	8	8.5	9	9.5	10

附件图 Accessory figure



可换测头 Anvils

调整垫片 Washers

主要技术参数 SPECIFICATIONS

货号 Nr.	分度值 Grad. (mm)	测量范围 Range (mm)	可换测头量限 Anvils									调整垫片 Washers			
			数量 Quantity	量限 Range(mm)									数量 Quantity	尺寸H:Size(mm)	
				No.1	No.2	No.3	No.4	No.5	No.6	No.7	No.8	No.9		No.1	No.2
311-104	0.01	10-18	9	10	11	12	13	14	15	16	17	18	1	0.5	
311-204	0.001	10-18	9	10	11	12	13	14	15	16	17	18	1	0.5	
311-105	0.01	18-35	9	18	20	22	24	26	28	30	32	34	2	0.5	1
311-205	0.001	18-35	9	18	20	22	24	26	28	30	32	34	2	0.5	1
323-104	0.002	10-18	9	10	11	12	13	14	15	16	17	18	1	0.5	
323-105	0.002	18-35	9	18	20	22	24	26	28	30	32	34	2	0.5	1
324-104	0.001	10-18	9	10	11	12	13	14	15	16	17	18	1	0.5	
324-105	0.001	18-35	9	18	20	22	24	26	28	30	32	34	2	0.5	1

附件图 Accessory figure



可换测头 Anvils

接杆 Sub-anvils

主要技术参数 SPECIFICATIONS

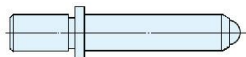
货号 Nr.	分度值 Grad. (mm)	测量范围 Range (mm)	可换测头量限 Anvils									接杆 Sub-anvils		
			数量 Quantity	量限 Range(mm)									数量 Quantity	接长尺寸 Size(mm)
				No.1	No.2	No.3	No.4	No.5	No.6	No.7				
312-105	0.01	18-35	7	18-20.5	20.5-23	23-25.5	25.5-28	28-30.5	30.5-33	33-35.5				
312-106	0.01	35-50	3	35-40	40-45	45-50								
312-107	0.01	50-100	5	50-62	62-74	74-86	86-98	98-110						
312-108	0.01	50-160	5	50-62	62-74	74-86	86-98	98-110			1	60		
312-109	0.01	160-250	5	160-180	180-200	200-220	220-240	240-250						
312-110	0.01	250-450	5	250-270	270-290	290-310	310-330	330-350			1	100		
314-106	0.01	35-50	3	35-40	40-45	45-50								
314-107	0.01	50-100	5	50-62	62-74	74-86	86-98	98-110						
314-108	0.01	50-160	5	50-62	62-74	74-86	86-98	98-110			1	60		
314-109	0.01	160-250	5	160-180	180-200	200-220	220-240	240-250						
314-110	0.01	100-250	4	100-120	120-140	140-160	160-180				1	75		
319-106	0.01	35-50	6	34-37	37-40	40-43	43-46	46-49	49-52					
319-108	0.01	50-160	6	50-60	60-70	70-80	80-90	90-100	100-110			1	60	
319-109	0.01	160-250	3	160-190	190-220	220-250								

02
04
06
08
10
12
14
18
20
22
24
26
28
30
32
34
36
40

C16

公制内径指示表 METRIC DIAL BORE GAUGES

附件图 Accessory figure



可换测头 Anvils

主要技术参数 SPECIFICATIONS

货号 Nr.	分度值 Grad. (mm)	测量范围 Range (mm)	测头数量 Anvil quantity	可换测头量限 Anvil range(mm)											
				No.1	No.2	No.3	No.4	No.5	No.6	No.7	No.8	No.9	No.10	No.11	No.12
313-106	0.01	35-50	4	35	40	45	50								
313-107	0.01	50-100	11	50	55	60	65	70	75	80	85	90	95	100	
313-108	0.01	50-160	12	50	55	60	65	70	75	80	85	90	95	100	105
313-109	0.01	160-250	5	160	170	180	190	200							
313-110	0.01	250-450	5	250	260	270	280	290							
313-112	0.01	400-800	5	400	410	420	430	440							
313-113	0.01	400-600	5	400	410	420	430	440							
313-114	0.01	600-800	5	600	610	620	630	640							
313-206	0.001	35-50	4	35	40	45	50								
313-208	0.001	50-160	12	50	55	60	65	70	75	80	85	90	95	100	105
313-209	0.001	160-250	5	160	170	180	190	200							
313-210	0.001	250-450	5	250	260	270	280	290							
323-106	0.002	35-50	4	35	40	45	50								
323-108	0.002	50-160	12	50	55	60	65	70	75	80	85	90	95	100	105
323-109	0.002	160-250	5	160	170	180	190	200							
323-110	0.002	250-450	5	250	260	270	280	290							
324-106	0.001	35-50	4	35	40	45	50								
324-108	0.001	50-160	12	50	55	60	65	70	75	80	85	90	95	100	105
324-109	0.001	160-250	5	160	170	180	190	200							
324-110	0.001	250-450	5	250	260	270	280	290							
315-107	0.01	50-100	11	50	55	60	65	70	75	80	85	90	95	100	
315-108	0.01	50-160	12	50	55	60	65	70	75	80	85	90	95	100	105
315-109	0.01	160-250	5	160	170	180	190	200							
315-110	0.01	250-450	5	250	260	270	280	290							
316-105	0.01	18-50	9	18	20	22	24	26	28	30	32	34			
316-106	0.01	50-100	11	50	55	60	65	70	75	80	85	90	95	100	
316-107	0.01	100-160	7	100	110	120	130	140	150	160					
316-108	0.01	160-250	5	160	170	180	190	200							
316-109	0.01	250-450	5	250	260	270	280	290							
316-110	0.01	450-700	5	450	460	470	480	490							
316-111	0.01	700-1000	5	700	710	720	730	740							
316-112	0.01	800-1000	5	800	810	820	830	840							
317-101	0.01	100-300	6	100	110	120	130	140	150						
317-102	0.01	30-100	5	30	35	40	45	50							
320-108	0.01	50-160	12	50	55	60	65	70	75	80	85	90	95	100	105

01

03

05

07

09

11

13

15

C17

19

21

23

25

27

29

31

33

35

37

39

公制内径指示表 METRIC DIAL BORE GAUGES

附件图 Accessory figure



调整垫片 Washers



接杆 Sub-anvils

主要技术参数SPECIFICATIONS

货号 Nr.	分度值 Gard. (mm)	测量范围 Range (mm)	垫片Washers					接杆Sub-anvils			
			数量 Quantity	尺寸H:Size(mm)				数量 Quantity	接长尺寸Size(mm)		
			No.1	No.2	No.3	No.4	No.5	No.1	No.2	No.3	No.4
313-106	0.01	35-50	4	0.5	1	2	3				
313-107	0.01	50-100	4	0.5	1	2	3				
313-108	0.01	50-160	4	0.5	1	2	3		1	55	
313-109	0.01	160-250	5	0.5	1	2	3	6	1	50	
313-110	0.01	250-450	5	0.5	1	2	3	6	2	50	100
313-112	0.01	400-800	5	0.5	1	2	3	6	4	100	200 300
313-113	0.01	400-600	5	0.5	1	2	3	6	3	100	200
313-114	0.01	600-800	5	0.5	1	2	3	6	4	100	200 300
313-206	0.001	35-50	4	0.5	1	2	3				
313-208	0.001	50-160	4	0.5	1	2	3		1	55	
313-209	0.001	160-250	5	0.5	1	2	3	6	1	50	
313-210	0.001	250-450	5	0.5	1	2	3	6	2	50	100
323-106	0.002	35-50	4	0.5	1	2	3				
323-108	0.002	50-160	4	0.5	1	2	3		1	55	
323-109	0.002	160-250	5	0.5	1	2	3	6	1	50	
323-110	0.002	250-450	5	0.5	1	2	3	6	2	50	100
324-106	0.001	35-50	4	0.5	1	2	3				
324-108	0.001	50-160	4	0.5	1	2	3		1	55	
324-109	0.001	160-250	5	0.5	1	2	3	6	1	50	
324-110	0.001	250-450	5	0.5	1	2	3	6	2	50	100
315-107	0.01	50-100	4	0.5	1	2	3				
315-108	0.01	50-160	4	0.5	1	2	3		1	55	
315-109	0.01	160-250	5	0.5	1	2	3	6	1	50	
315-110	0.01	250-450	5	0.5	1	2	3	6	2	50	100
316-105	0.01	18-50	2	0.5	1					16	
316-106	0.01	50-100	2	1	2						
316-107	0.01	100-160	5	0.5	1	2	3	6			
316-108	0.01	160-250	5	0.5	1	2	3	6	2	50	100
316-109	0.01	250-450	5	0.5	1	2	3	6	2	50	100
316-110	0.01	450-700	5	0.5	1	2	3	6	4	50	100 200 200
316-111	0.01	700-1000	5	0.5	1	2	3	6	5	50	100 200 300(2)
316-112	0.01	800-1000	5	0.5	1	2	3	6	5	50	100 200 300(2)
317-101	0.01	100-300	4	1	2	3	6		2	50	100
317-102	0.01	30-100	3	1	2	3			2	25	25
320-108	0.01	50-160	4	0.5	1	2	3		1	55	

02
04
06
08
10
12
14
16
18
C18
20
22
24
26
28
30
32
34
36
40



Pursuing
The Precision
Serving
The World

英制数显内径指示表 INCH DIGITAL DIAL BORE GAUGES

性能及特点

- 311-604为板式定位护桥
- 323-606为筒式定位护桥
- 其余为翼轮式定位护桥
- 固定式或插置式可换测头

FEATURES

- 311-604 is with plate guide
- 323-606 is with canister
- Others are Wheel guide
- Fixed or inserting anvils

主要技术参数 SPECIFICATIONS

货号 Nr.	型号 Model	分度值 Grad.(in)	测量范围 Range (in)	测量深度 Depth(in)	附件(个) Accessories			英制数显表 规格
					可换测头 Anvil	调整垫片 Washers	接杆 Sub-anvils	
311-603	WL012	0.0001	0.24-0.4	1.57	9			配122-212
311-604	WL013A	0.0001	0.4-0.7	4	9	1		
311-605	WL014A	0.0001	0.7-1.5	5	11	2		
323-606	WL015A	0.0001	1.4-2.4	6	6	4		
323-607	WL017A	0.0001	2-4	6	11	4		
323-608	WL016A	0.0001	2-6	6	11	4	1	
323-609	WL018	0.0001	6-10	16	6	5	1	
323-610	WL019	0.0001	10-16	16	6	5	2	
311-703	WL012	0.00005	0.24-0.4	1.57	9			配132-212
311-704	WL013A	0.00005	0.4-0.7	4	9	1		
311-705	WL014A	0.00005	0.7-1.5	5	11	2		
324-706	WL015A	0.00005	1.4-2.4	6	6	4		
324-707	WL017A	0.00005	2-4	6	11	4		
324-708	WL016A	0.00005	2-6	6	11	4	1	
324-709	WL018	0.00005	6-10	16	6	5	1	
324-710	WL019	0.00005	10-16	16	6	5	2	



主体展示图 MAIN BODY DETAILS



323-603



323-604



323-605



323-608

01
03
05
07
09
11
13
15
17
C19
21
23
25
27
29
31
33
35
37
39

英制内径指示表 INCH DIAL BORE GAUGES

主要技术参数 SPECIFICATIONS

货号 Nr.	型号 Model	分度值 Grad.(in)	测量范围 Range (in)	测量深度 Depth (in)	可换测头数量(个) Anvils quantity
311-303	WL012	0.0005	0.24-0.4	1.57	9
311-403	WL032	0.001	0.24-0.4	1.57	9



311-303

性能及特点

- 小规格内径表
- 固定式可换测头、装卸方便

FEATURES

- Dial bore gauge for small dimensions
- With fixed anvils, convenient to set the dimension

主体展示图 MAIN BODY DETAILS



311-303



311-304

性能及特点

- 小规格内径表
- 固定式可换测头
- 板式定位护桥

FEATURES

- Dial bore gauge for small dimensions
- Fixed anvils
- Plate guide



311-304

主要技术参数 SPECIFICATIONS

货号 Nr.	型号 Model	分度值 Grad. (in)	测量范围 Range (in)	测量深度 Depth (in)	附件(个) Accessories	
					可换测头 Anvils	调整垫片 Washers
311-304	WL013A	0.0005	0.4-0.7	4	9	1
311-404	WL033	0.001	0.4-0.7	4	9	1

02
04
06
08
10
12
14
16
18
C20
22
24
26
28
30
32
34
36
40

英制内径指示表 INCH DIAL BORE GAUGES

01
03
05
07
09
11
13
15
17
19
21
23
25
27
29
31
33
35
37
39

性能及特点

- 配置263-110指示表
- 311-305和311-405为筒式定位护桥、固定式可换测头
- 312-305和312-405为板式定位护桥、螺纹式可换测头

FEATURES

- Equipped with 263-110 dial indicator
- Nr.311-305 and 311-405 is with canister guide and fixed anvils
- Nr.312-305 and 312-405 is with plate guide and screw anvils

C21

主体展示图 MAIN BODY DETAILS



312-305



311-305

312-305

311-305



主要技术参数 SPECIFICATIONS

货号 Nr.	型号 Model (in)	分度值 Grad. (in)	测量范围 Range (in)	测量深度 Depth (in)	附件 (个) Accessories		说明 Explanation
					可换测头Anvils	调整垫片Washers	
311-305	WL014A	0.0005	0.7-1.5	6	11	2	筒式定位护桥, 固定式可换测头
311-405	WL034	0.001	0.7-1.5	6	11	2	Canister guide. Fixed anvils
312-305	WL014B	0.0005	0.7-1.5	5	8		板式定位护桥, 螺纹式可换测头
312-405	WL034	0.001	0.7-1.5	5	8		Plate guide. Screw anvils

英制内径指示表 INCH DIAL BORE GAUGES



313-306

- | | |
|--|--|
| <p>性能及特点</p> <ul style="list-style-type: none"> ● 翼轮式定位护桥 ● 插置式可换测头 | <p>FEATURES</p> <ul style="list-style-type: none"> ● Wheel guide ● Inserting anvils |
|--|--|

主要技术参数 SPECIFICATIONS

货号 Nr.	型号 Model	分度值 Grad.(in)	测量范围 Range (in)	测量深度 Depth(in)	附件 (个) Accessories		
					可换测头 Anvil	调整垫片 Washers	接杆 Sub-anvils
313-306	WL015A	0.0005	1.4-2.4	6	6	4	
313-307	WL017A	0.0005	2-4	6	11	4	
313-308	WL016A	0.0005	2-6	6	11	4	1
313-309	WL018	0.0005	6-10	16	6	5	1
313-310	WL019	0.0005	10-16	16	6	5	2
313-406	WL035	0.001	1.4-2.4	6	6	4	
313-407	WL037	0.001	2-4	6	11	4	
313-408	WL036	0.001	2-6	6	11	4	1
313-409	WL038	0.001	6-10	16	6	5	1
313-410	WL039	0.001	10-16	16	6	5	2

主体展示图 MAIN BODY DETAILS



313-306

02
04
06
08
10
12
14
16
18
20
C22
24
26
28
30
32
34
36
40

英制加长和弯杆内径指示表 INCH EXTENSION AND BENDING DIAL BORE GAUGES

01
03
05
07
09
11
13
15
17
19
21
C23
25
27
29
31
33
35
37
39



313-306A

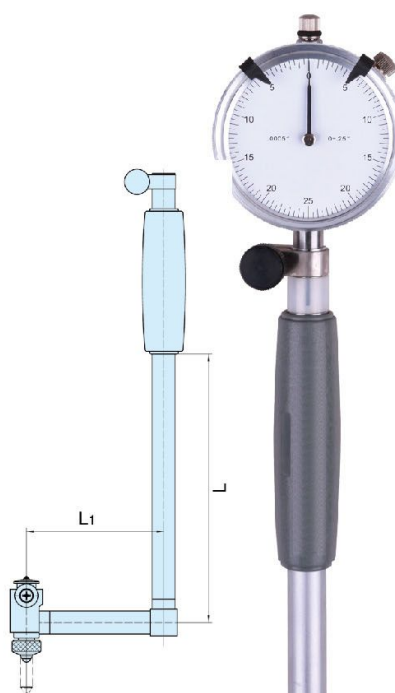
主要技术参数 SPECIFICATIONS

测量范围	货号/测量深度Nr./Depth			
Range(in)	19.7"	39.4"	59.1"	78.7"
1.4-2.4	313-306A	313-306B	313-306C	313-306D
2.0-4.0	313-307A	313-307B	313-307C	313-307D
2.0-6.0	313-308A	313-308B	313-308C	313-308D
6.0-10.0	313-309A	313-309B	313-309C	313-309D
10.0-16.0	313-310A	313-310B	313-310C	313-310D

主体展示图 MAIN BODY DETAILS



313-306A



- 用于箱体内腔孔径及狭小空间处孔径的测量
- For inside measurement of small holes

主要技术参数 SPECIFICATIONS

货号 Nr.	型号 Model	分度值 Grad.(in)	测量范围 Range(in)	附件(个) Accessories				
				L	L1	可换测头	调整垫片 接杆	
315-307	WL016D	0.0005in	2-4in	6in	3in	11	4	
315-308	WL016D	0.0005in	2-6in	6in	3in	11	4	1
315-309	WL018D	0.0005in	6-10in	16in	4in	6	5	1
315-310	WL019D	0.0005in	10-16in	16in	4in	6	5	2



315-308

英制内径指示表 INCH DIAL BORE GAUGES 附件Accessory

附件图 Accessory figure



可换测头 Anvils

主要技术参数 SPECIFICATIONS

货号 Nr.	分度值 Gard.(in)	测量范围 Range(in)	测头数量 Anvils quantity	可换测头量限Anvils Range(in)									
				No.1	No.2	No.3	No.4	No.5	No.6	No.7	No.8	No.9	
311-303	0.0005	0.24-0.4	9	0.24	0.26	0.28	0.3	0.32	0.34	0.36	0.38	0.4	
311-403	0.001	0.24-0.4	9	0.24	0.26	0.28	0.3	0.32	0.34	0.36	0.38	0.4	
311-503	0.0001	0.24-0.4	9	0.24	0.26	0.28	0.3	0.32	0.34	0.36	0.38	0.4	
311-603	0.00005	0.24-0.4	9	0.24	0.26	0.28	0.3	0.32	0.34	0.36	0.38	0.4	digital indicator 122-212
311-703	0.00005	0.24-0.4	9	0.24	0.26	0.28	0.3	0.32	0.34	0.36	0.38	0.4	digital indicator 132-212

附件图 Accessory figure



可换测头 Anvils

调整垫片 Washers

主要技术参数 SPECIFICATIONS

货号 Nr.	分度值 Gard.(in)	测量范围 Range(in)	可换测头Anvils											调整垫片Washers			
			数量 Qty.	量限Range(in)										数量 Qty.	尺寸H:Size(in)		
311-304	0.0005	0.4-0.7	9	0.4	0.44	0.48	0.52	0.56	0.60	0.64	0.68	0.7	1	0.02			
311-305	0.0005	0.7-1.5	11	0.7	0.78	0.86	0.94	1.02	1.1	1.18	1.26	1.34	1.42	1.5	2	0.02	0.05
311-404	0.001	0.4-0.7	9	0.4	0.44	0.48	0.52	0.56	0.60	0.64	0.68	0.7	1	0.02			
311-405	0.001	0.7-1.5	11	0.7	0.78	0.86	0.94	1.02	1.1	1.18	1.26	1.34	1.42	1.5	2	0.02	0.05
311-504	0.0001	0.4-0.7	9	0.4	0.44	0.48	0.52	0.56	0.60	0.64	0.68	0.7	1	0.02			
311-505	0.0001	0.7-1.5	11	0.7	0.78	0.86	0.94	1.02	1.1	1.18	1.26	1.34	1.42	1.5	2	0.02	0.04
311-604	0.00005	0.4-0.7	9	0.4	0.44	0.48	0.52	0.56	0.60	0.64	0.68	0.7	1	0.02	digital indicator 122-212		
311-605	0.00005	0.7-1.5	11	0.7	0.78	0.86	0.94	1.02	1.1	1.18	1.26	1.34	1.42	1.5	2	0.02	0.04
311-704	0.00005	0.4-0.7	9	0.4	0.44	0.48	0.52	0.56	0.60	0.64	0.68	0.7	1	0.02	digital indicator 132-212		
311-705	0.00005	0.7-1.5	11	0.7	0.78	0.86	0.94	1.02	1.1	1.18	1.26	1.34	1.42	1.5	2	0.02	0.04

附件图 Accessory figure



可换测头 Anvils

主要技术参数 SPECIFICATIONS

货号 Nr.	分度值 Gard.(in)	测量范围 Range(in)	测头数量 Anvil quantity	可换测头量限Range(in)							
				No.1	No.2	No.3	No.4	No.5	No.6	No.7	No.8
312-305	0.0005	0.7-1.5	8	0.7-0.8	0.8-0.9	0.9-1.0	1.0-1.1	1.1-1.2	1.2-1.3	1.3-1.4	1.4-1.5
312-405	0.001	0.7-1.5	8	0.7-0.8	0.8-0.9	0.9-1.0	1.0-1.1	1.1-1.2	1.2-1.3	1.3-1.4	1.4-1.5

02
04
06
08
10
12
14
16
18
20
22
C24
26
28
30
32
34
36
40

英制内径指示表

附件Accessory INCH DIAL BORE GAUGES

附件图 Accessory figure



可换测头 Anvils

主要技术参数 SPECIFICATIONS

货号 Nr.	分度值 Grad.(in)	测量范围 Range(in)	测头数量 Anvil qty.	可换测头量限 Range (in)										
				No.1	No.2	No.3	No.4	No.5	No.6	No.7	No.8	No.9	No.10	No.11
313-306	0.0005	1.4-2.4	6	1.4	1.6	1.8	2	2.2	2.4					
313-307	0.0005	2-4	11	2	2.2	2.4	2.6	2.8	3	3.2	3.4	3.6	3.8	4
313-308	0.0005	2-6	11	2	2.2	2.4	2.6	2.8	3	3.2	3.4	3.6	3.8	4
313-309	0.0005	6-10	6	6	6.4	6.8	7.2	7.6	8					
313-310	0.0005	10-16	6	10	10.4	10.8	11.2	11.6	12					
313-406	0.001	1.4-2.4	6	1.4	1.6	1.8	2	2.2	2.4					
313-407	0.001	2-4	11	2	2.2	2.4	2.6	2.8	3	3.2	3.4	3.6	3.8	4
313-408	0.001	2-6	11	2	2.2	2.4	2.6	2.8	3	3.2	3.4	3.6	3.8	4
313-409	0.001	6-10	6	6	6.4	6.8	7.2	7.6	8					
313-410	0.001	10-16	6	10	10.4	10.8	11.2	11.6	12					
313-506	0.0001	1.4-2.4	6	1.4	1.6	1.8	2	2.2	2.4					
313-507	0.0001	2-4	11	2	2.2	2.4	2.6	2.8	3	3.2	3	3.6	3.8	4
313-508	0.0001	2-6	11	2	2.2	2.4	2.6	2.8	3	3.2	3.4	3.6	3.8	4
313-509	0.0001	6-10	6	6	6.4	6.8	7.2	7.6	8.0					
313-510	0.0001	10-16	6	10	10.4	10.8	11.2	11.6	12					
315-307	0.0005	2-4	11	2	2.2	2.4	2.6	2.8	3	3.2	3.4	3.6	3.8	4
315-308	0.0005	2-6	11	2	2.2	2.4	2.6	2.8	3	3.2	3.4	3.6	3.8	4
315-309	0.0005	6-10	6	6	6.4	6.8	7.2	7.6	8					
315-310	0.0005	10-16	6	10	10.4	10.8	11.2	11.6	12					
323-606	0.00005	1.4-2.4	6	1.4	1.6	1.8	2	2.2	2.4					
323-607	0.00005	2-4	11	2	2.2	2.4	2.6	2.8	3	3.2	3	3.6	3.8	4
323-608	0.00005	2-6	11	2	2.2	2.4	2.6	2.8	3	3.2	3.4	3.6	3.8	4
323-609	0.00005	6-10	6	6	6.4	6.8	7.2	7.6	8.0					
323-610	0.00005	10-16	6	10	10.4	10.8	11.2	11.6	12					
324-706	0.00005	1.4-2.4	6	1.4	1.6	1.8	2	2.2	2.4					
324-707	0.00005	2-4	11	2	2.2	2.4	2.6	2.8	3	3.2	3	3.6	3.8	4
324-708	0.00005	2-6	11	2	2.2	2.4	2.6	2.8	3	3.2	3.4	3.6	3.8	4
324-709	0.00005	6-10	6	6	6.4	6.8	7.2	7.6	8.0					
324-710	0.00005	10-16	6	10	10.4	10.8	11.2	11.6	12					

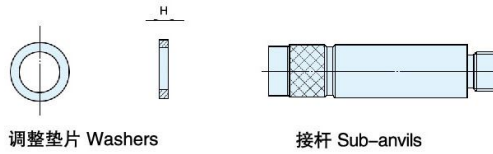
digital
indicator
122-212

digital
indicator
132-212

01
03
05
07
09
11
13
15
17
19
21
23
C25
27
29
31
33
35
37
39

英制内径指示表 INCH DIAL BORE GAUGES 附件Accessory

附件图 Accessory figure



调整垫片 Washers

接杆 Sub-anvils

主要技术参数 SPECIFICATIONS

货号 Nr.	分度值 Gard. (in)	测量范围 Range (in)	垫片 Washers						接杆 Sub-anvil				
			数量 Quantity	尺寸H:Size(in)						数量 Quantity	接长尺寸Size(in)		
				No.1	No.2	No.3	No.4	No.5	No.6		No.1		No.2
313-306	0.0005	1.4-2.4	3	0.02	0.04	0.08	0.12						
313-307	0.0005	2-4	3	0.02	0.04	0.08	0.12						
313-308	0.0005	2-6	3	0.02	0.04	0.08	0.12			1	2		
313-309	0.0005	6-10	5	0.02	0.05	0.1	0.2	0.3		1	2		
313-310	0.0005	10-16	5	0.02	0.05	0.1	0.2	0.3		2	2	4	
313-406	0.001	1.4-2.4	3	0.02	0.04	0.08	0.12						
313-407	0.001	2-4	3	0.02	0.04	0.08	0.12						
313-408	0.001	2-6	3	0.02	0.04	0.08	0.12			1	2		
313-409	0.001	6-10	5	0.02	0.05	0.1	0.2	0.3		1	2		
313-410	0.001	10-16	5	0.02	0.05	0.1	0.2	0.3		2	2	4	
313-506	0.0001	1.4-2.4	4	0.02	0.04	0.08	0.12						
313-507	0.0001	2-4	4	0.02	0.04	0.08	0.12						
313-508	0.0001	2-6	4	0.02	0.04	0.08	0.12			1	2		
313-509	0.0001	6-10	6	0.02	0.04	0.08	0.1	0.2	0.3	1	2		
313-510	0.0001	10-16	6	0.02	0.04	0.08	0.1	0.2	0.3	1	2	4	
315-307	0.0005	2-4	3	0.02	0.04	0.08	0.12						
315-308	0.0005	2-6	3	0.02	0.04	0.08	0.12			1	2		
315-309	0.0005	6-10	5	0.02	0.05	0.1	0.2	0.3		1	2		
315-310	0.0005	10-16	5	0.02	0.05	0.1	0.2	0.3		2	2	4	
323-606	0.00005	1.4-2.4	4	0.02	0.04	0.08	0.12						digital indicator 122-212
323-607	0.00005	2-4	4	0.02	0.04	0.08	0.12						
323-608	0.00005	2-6	4	0.02	0.04	0.08	0.12			1	2		
323-609	0.00005	6-10	6	0.02	0.04	0.08	0.1	0.2	0.3	1	2		
323-610	0.00005	10-16	6	0.02	0.04	0.08	0.1	0.2	0.3	1	2	4	
324-706	0.00005	1.4-2.4	4	0.02	0.04	0.08	0.12						digital indicator 132-212
324-707	0.00005	2-4	4	0.02	0.04	0.08	0.12						
324-708	0.00005	2-6	4	0.02	0.04	0.08	0.12			1	2		
324-709	0.00005	6-10	6	0.02	0.04	0.08	0.1	0.2	0.3	1	2		
324-710	0.00005	10-16	6	0.02	0.04	0.08	0.1	0.2	0.3	1	2	4	

02
04
06
08
10
12
14
16
18
20
22
24
C26
28
30
32
34
36
40

防护罩附件 DIAL INDICATOR PROTECTIVE COVER

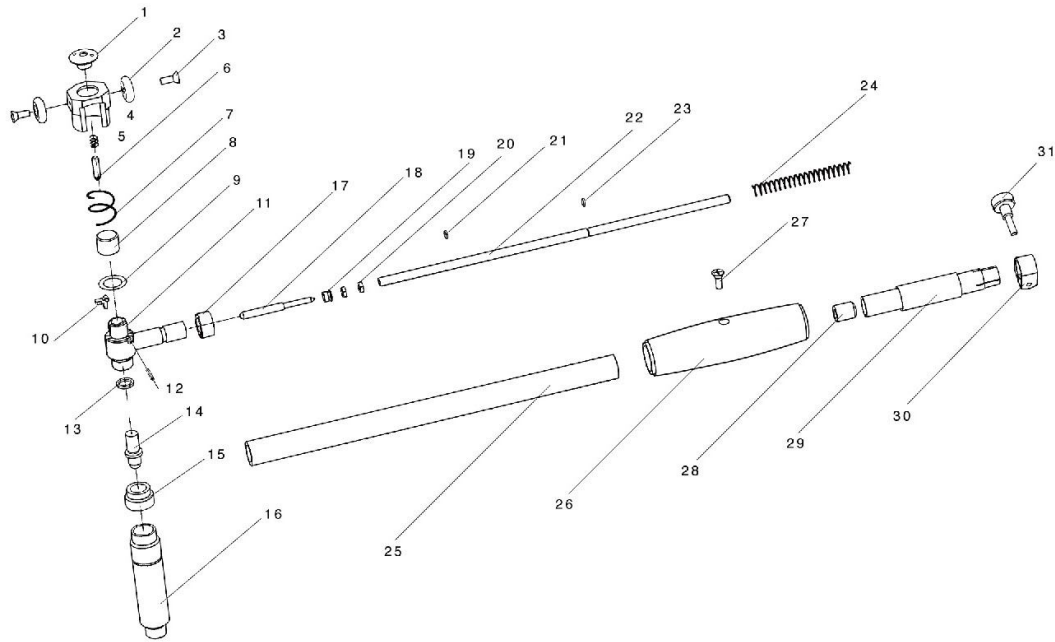
01
03
05
07
09
11
13
15
17
19
21
23
25
C27
29
31
33
35
37
39



- 防护罩附件供用户自己选用
- 小号防护罩适用于配置小型指示表的内径表，大号防护罩适用于其它配置 $\Phi 58$ 表圈指示表的内径表
- Protective covers are optional
- Miniature protector is for dial bore gauge with miniature dial indicator. Universal protector is for other $\Phi 58$ dial bore gauge



内径指示表 DIAL BORE GAUGE



02
04
06
08
10
12
14
16
18
20
22
24
26
C28
30
32
34
36
40

序号 Index No.	名称 Parts No.	序号 Index No.	名称 Parts No.	序号 Index No.	名称 Parts No.	序号 Index No.	名称 Parts No.
1	铜轴承 brass bearing	9	垫片 cover ring	17	正位套 orientation cover	25	大管 big tube
2	护桥翼轮 guide wheel	10	杠杆 cam	18	顶杆 driving pin	26	手柄 handle
3	翼轮螺钉 screw	11	主体部件 main body assy	19	套筒 sleeve	27	手柄螺钉 screw
4	定位护桥 guide	12	杠杆轴 cam pin	20	螺母 screw nut	28	中心套 center cover
5	测头弹簧 point spring	13	调整垫片 washer	21	正位圈 orientation ring	29	小管 small tube
6	活动测头 contact point	14	可换测头 anvil	22	长杆 driving rod	30	紧固器 holder
7	护桥弹簧 guide spring	15	紧固螺母 anvil lock nut	23	开口挡圈 E-nut	31	紧固钉 holder screw
8	导向套 guide cover	16	接杆 sub anvil	24	测力弹簧 measuring force spring		



Pursuing
The Precision
Serving
The World

D01

03
05
07
09
11
13
15
17
19
21
23
25

带表卡规

Dial Caliper Gauge

D

公制带表内卡规

Metric Inside Dial Caliper Gauges

公制带表外卡规

Metric Outside Dial Caliper Gauges

英制带表内卡规

Inch Inside Dial Caliper Gauges

英制带表外卡规

Inch Outside Dial Caliper Gauges

数显卡规

Digital Caliper Gauges



数显卡规

Digital Caliper Gauges

性能及特点

- 任意位置置零
- 任意位置进行公英制转换
- 置数功能
- 串行输出口可与微机或打印机联接进行数据处理

FEATURES

- Zeroing at any position
- Metric/inch switching
- Presetting
- Data output can interfacing with a computer or a printer via special converter to process data.

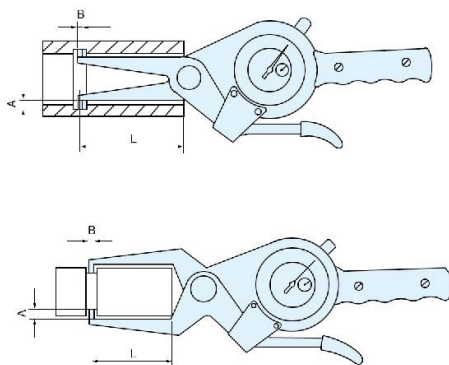


511-605



512-601

外形尺寸图 DIMENSIONS(mm)



主要技术参数 SPECIFICATIONS

货号 Nr.	型号 Model	分度值 Grad.(mm)	测量范围 Range (mm)	外形尺寸(mm)		
				A	B	L
511-603	NKG15-35	0.01	15-35mm	3	∅3	50
511-604	NKG35-55	0.01	35-55mm	6	∅3	80
511-605	NKG55-75	0.01	55-75mm	8	∅3	90
511-606	NKG75-95	0.01	75-95mm	8	∅3	100
511-607	NKG95-115	0.01	95-115mm	10	∅3.2	150
511-608	NKG115-135	0.01	115-135mm	10	∅3.2	150
511-609	NKG135-155	0.01	135-155mm	10	∅3.2	200
512-601	WKG0-20	0.01	0-20mm	6	∅3	60
512-602	WKG20-40	0.01	20-40mm	6	∅3	60
512-603	WKG40-60	0.01	40-60mm	6	∅3	55
512-604	WKG60-80	0.01	60-80mm	6	∅3	55
512-605	WKG80-100	0.01	80-100mm	6	∅3	55

D02

04

06

08

10

12

14

16

18

20

22

24

26

带表卡规

DIAL CALIPER GAUGES

公制带表内卡规

Metric Inside Dial Caliper Gauges

01

D03

05

07

09

11

13

15

17

19

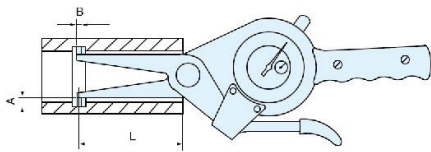
21

23

25

- 测量范围大于395mm以上的带表内卡规, 可根据用户要求特殊加工。
- 测量范围大于95mm以上内卡规配防震百分表
- The inside dial caliper gauges with measuring range over 395 mm can be made upon request.
- The inside caliper gauge match with shockproof dial indicator above 95mm of measuring range.

外形尺寸图 DIMENSIONS(mm)



511-103



511-105

主要技术参数 SPECIFICATIONS

货号 Nr.	型号 Model	分度值 Grad.(mm)	测量范围 Range (mm)	外形尺寸(mm)		
				A	B	L
511-102	NKG10-30	0.01	10-30	2.5	∅1.8	50
511-103	NKG15-35	0.01	15-35	3	∅3	50
511-104	NKG35-55	0.01	35-55	6	∅3	80
511-105	NKG55-75	0.01	55-75	8	∅3	90
511-106	NKG75-95	0.01	75-95	8	∅3	100
511-107	NKG95-115	0.01	95-115	10	∅3.2	150
511-108	NKG115-135	0.01	115-135	10	∅3.2	150
511-109	NKG135-155	0.01	135-155	10	∅3.2	200
511-110	NKG155-175	0.01	155-175	10	∅3.2	200
511-111	NKG175-195	0.01	175-195	10	∅3.2	200
511-112	NKG195-215	0.01	195-215	10	∅3.2	200
511-113	NKG215-235	0.01	215-235	10	∅3.2	200
511-114	NKG235-255	0.01	235-255	10	∅3.2	380
511-115	NKG255-275	0.01	255-275	10	∅3.2	380
511-116	NKG275-295	0.01	275-295	10	∅3.2	380
511-117	NKG295-315	0.01	295-315	10	∅3.2	380
511-118	NKG315-335	0.01	315-335	10	∅3.2	200
511-119	NKG335-355	0.01	335-355	10	∅3.2	200
511-120	NKG355-375	0.01	355-375	10	∅3.2	200
511-121	NKG375-395	0.01	375-395	10	∅3.2	200



511-102

带表卡规

DIAL CALIPER GAUGE

公制带表外卡规

Metric Outside Dial Caliper Gauges

02

D04

06

08

10

12

14

16

18

20

22

24

26

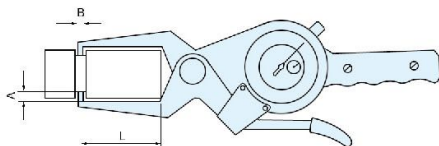
- 测量范围大于260mm以上的带表外卡规，可根据用户要求特殊加工。
- 测量范围大于100mm以上外卡规配防震百分表
- The outside dial caliper gauges with measuring rang over 260 mm can be made upon request.
- The outside caliper gauge match with shockproof dial indicator above 100mm of measuring range.



主要技术参数 SPECIFICATIONS

货号 Nr.	型号 Model	分度值 Grad.(mm)	测量范围 Range (mm)	外形尺寸(mm)		
				A	B	L
512-101	WKG0-20	0.01	0-20	6	∅3	60
512-102	WKG20-40	0.01	20-40	6	∅3	60
512-103	WKG40-60	0.01	40-60	6	∅3	55
512-104	WKG60-80	0.01	60-80	6	∅3	55
512-105	WKG80-100	0.01	80-100	6	∅3	55
512-106	WKG100-120	0.01	100-120	10	∅3.2	95
512-107	WKG120-140	0.01	120-140	10	∅3.2	95
512-108	WKG140-160	0.01	140-160	10	∅3.2	95
512-109	WKG160-180	0.01	160-180	10	∅3.2	95
512-110	WKG180-200	0.01	180-200	10	∅3.2	95
512-111	WKG200-220	0.01	200-220	10	∅3.2	120
512-112	WKG220-240	0.01	220-240	10	∅3.2	120
512-113	WKG240-260	0.01	240-260	10	∅3.2	120

外形尺寸图 DIMENSIONS(mm)





Pursuing
The Precision
Serving
The World

带表卡规 DIAL CALIPER GAUGES

英制带表卡规 Inch Dial Caliper Gauges

01

03

D05

07

09

11

13

15

17

19

21

23

25

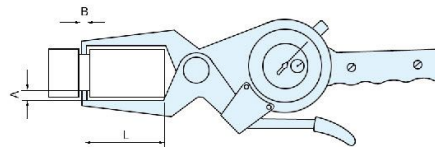
512-202



主要技术参数 SPECIFICATIONS

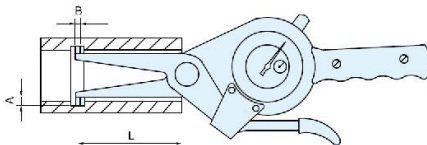
货号 Nr.	型号 Model	测量范围 Range (in)	分度值 Grad.(in)	外形尺寸(in)		
				A	B	L
512-201	WKG31	0-0.8	0.0005	0.236	0.118	2.3
512-202	WKG32	0.8-1.6	0.0005	0.236	0.118	2.3
512-203	WKG33	1.6-2.4	0.0005	0.236	0.118	2.1
512-204	WKG34	2.4-3.2	0.0005	0.236	0.118	2.1
512-205	WKG35	3.2-4.0	0.0005	0.236	0.118	2.1
512-301	WKG41	0-0.8	0.001	0.236	0.118	2.3
512-302	WKG42	0.8-1.6	0.001	0.236	0.118	2.3
512-303	WKG43	1.6-2.4	0.001	0.236	0.118	2.1
512-304	WKG44	2.4-3.2	0.001	0.236	0.118	2.1
512-305	WKG45	3.2-4.0	0.001	0.236	0.118	2.1

外形尺寸图 DIMENSIONS(in)



511-304

外形尺寸图 DIMENSIONS(in)



主要技术参数 SPECIFICATIONS

货号 Nr.	型号 Model	测量范围 Range (in)	分度值 Grad.(in)	外形尺寸(in)		
				A	B	L
511-203	NKG11	0.6-1.4	0.0005	0.118	0.118	1.9
511-204	NKG12	1.4-2.2	0.0005	0.236	0.118	3.1
511-205	NKG13	2.2-3.0	0.0005	0.315	0.118	3.1
511-206	NKG14	3.0-3.8	0.0005	0.315	0.118	3.9
511-303	NKG21	0.6-1.4	0.001	0.118	0.118	1.9
511-304	NKG22	1.4-2.2	0.001	0.236	0.118	3.1
511-305	NKG23	2.2-3.0	0.001	0.315	0.118	3.1
511-306	NKG24	3.0-3.8	0.001	0.315	0.118	3.9

带表卡规 DIAL CALIPER GAUGES

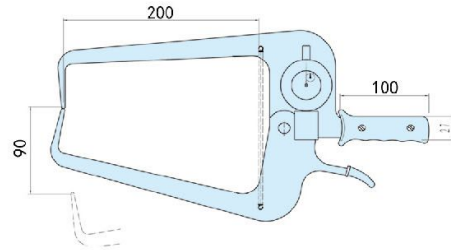
大量程带表外卡规 Dial Caliper Gauges

02
04
D06
08
10
12
14
16
18
20
22
24
26



512-401

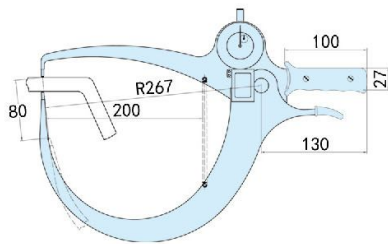
外形尺寸图 DIMENSIONS(mm)



主要技术参数 SPECIFICATIONS

货号	型号	分度值	测量范围
Nr.	Model	Grad.(mm)	Range(mm)
512-401	WKG0-90	0.1	0-90
512-402	WKG0-80	0.1	0-80
512-501	WKG0-50	0.05	0-50

外形尺寸图 DIMENSIONS(mm)



512-402





Pursuing
The Precision
Serving
The World

大测深带表内卡规 DIAL CALIPER GAUGES

01
03
05
D07
09
11
13
15
17
19
21
23
25

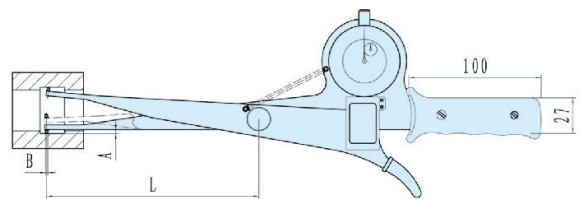


513-103

主要技术参数 SPECIFICATIONS

货号 Nr.	型号 Model	分度值 Grad.(mm)	测量范围 Range(mm)	外形尺寸		
				A	B	L
513-103	NKG15-35	0.01	15-35	3	Φ3 160	200 250
513-104	NKG35-55	0.01	35-55	13	Φ3 160	250 200
513-105	NKG55-75	0.01	55-75	8	Φ3 200	250

外形尺寸图 DIMENSIONS(mm)



快速卡规

External Quick Caliper

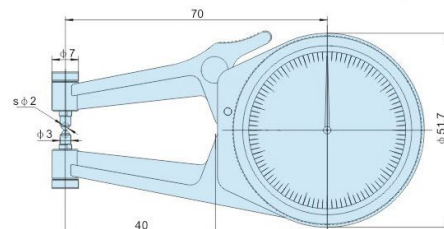


514-101

主要技术参数 SPECIFICATIONS

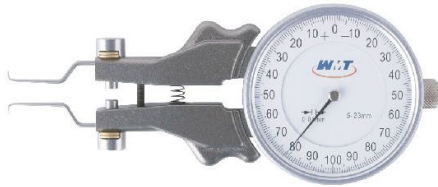
货号 Nr.	型号 Model	分度值 Grad.(mm)	测量范围 Range(mm)
514-101	WKG0-10	0.1	10

外形尺寸图 DIMENSIONS(mm)

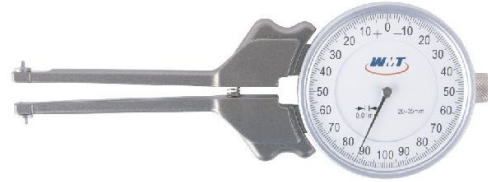


带可换测头的高精度内卡规

DIAL CALIPER GAUGES WITH REPLACEABLE ANVILS



515-102

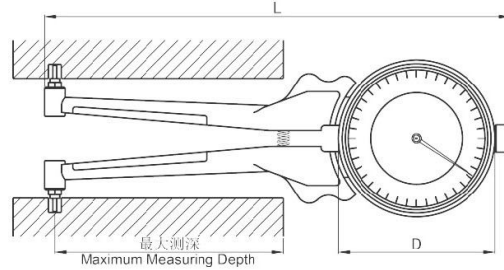


515-103

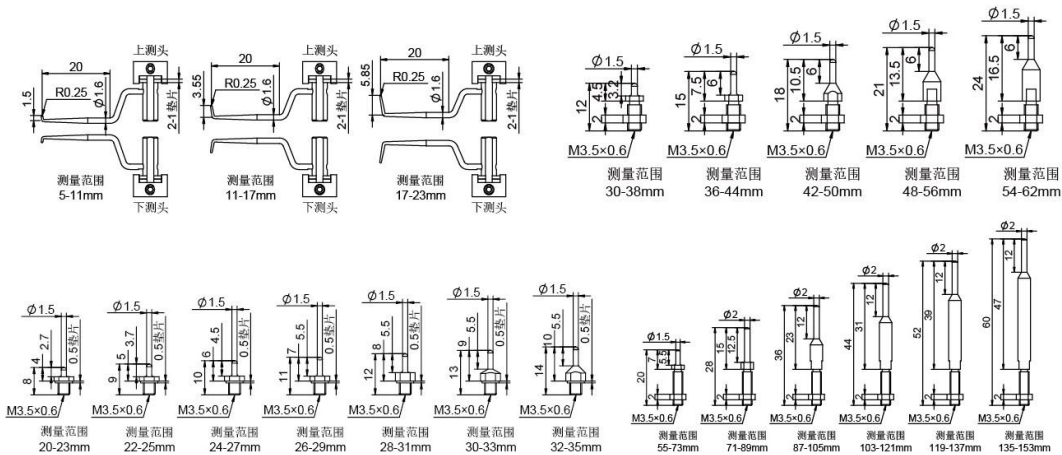


515-105

外形尺寸图 DIMENSIONS(mm)



附件图 Accessory Figure



主要技术参数 SPECIFICATIONS

货号 Nr.	型号 Model	分度值 Grad.(mm)	测量范围 Range(mm)	精度指标 Accuracy(mm)	测量深度 Measuring depth(mm)	可换测头 Anvils(pair)	外形尺寸 L D
515-102	NKG5-23	0.01	5-23	0.02	20	3	150 Φ62
515-103	NKG20-35	0.01	20-35	0.02	70	7	168 Φ62
515-104	NKG30-62	0.01	30-62	0.02	75	5	172 Φ62
515-105	NKG55-153	0.01	55-153	0.02	90	6	183 Φ62

02
04
06
D08
10
12
14
16
18
20
22
24
26



Pursuing
The Precision
Serving
The World

E01

03
05
07
09
11
13
15
17
19
21
23
25

测厚规

Dial Thickness Gauge

E

BC01测厚规

BC01 Dial Thickness Gauge

BC02测厚规

BC02 Dial Thickness Gauge

BC03测厚规

BC03 Dial Thickness Gauge

BC04测厚规

BC04 Dial Thickness Gauge

BC05测厚规

BC05 Dial Thickness Gauge

BC09测厚规

BC09 Dial Thickness Gauge

BC25测厚规

BC25 Dial Thickness Gauge

BC62袖珍测厚规

BC62 Pocket Thickness Gauge

BC08十分测厚规

BC08 Dial Thickness Gauge

BC07管厚规

BC07 Dial Pipe Gauge



E02

- 04
- 06
- 08
- 10
- 12
- 14
- 16
- 18
- 20
- 22
- 24
- 26

测厚规主要用于测量纸张、皮革、橡胶、织物及各种金属板材、玻璃板等的厚度。测厚规的测力可根据用户的要求制造。

The dial thickness gauges are attachment to the dial indicators and used to measure the thickness of paper,leather,rubber, fabric,metal plate,glass and plastic plate,etc





Pursuing
The Precision
Serving
The World

测厚规 DIAL THICKNESS GAUGES

01

E03

05

07

09

11

13

15

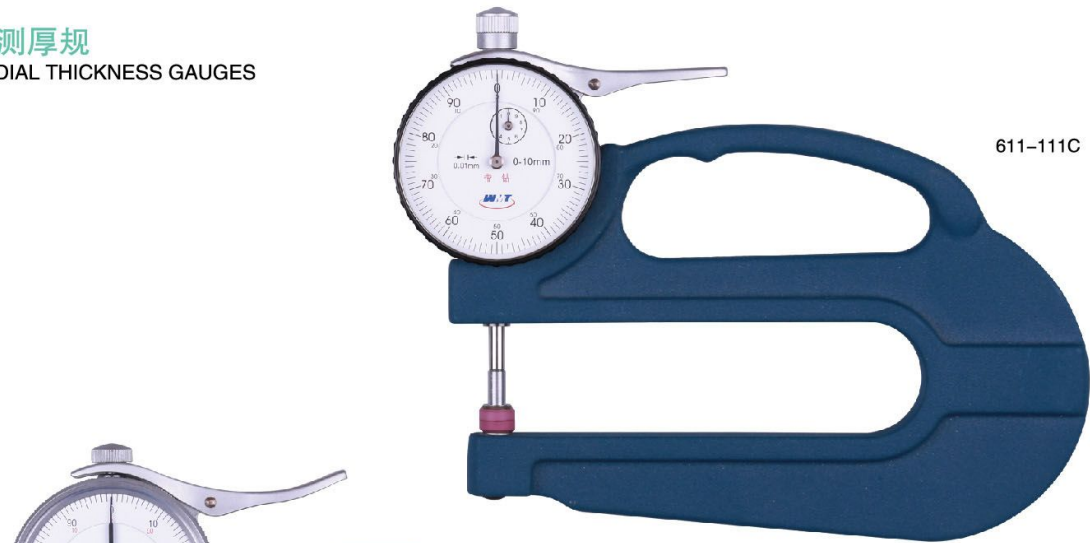
17

19

21

23

25



611-111C



611-211C



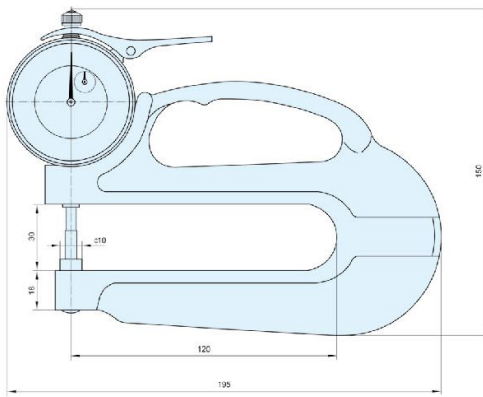
611-111E

Pursuing
The Precision
Serving
The World

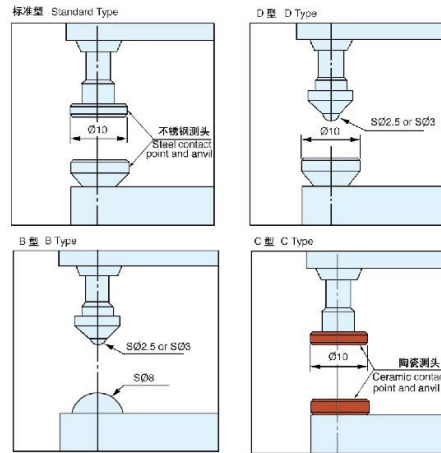
测厚规

DIAL THICKNESS GAUGES

外形尺寸图 DIMENSIONS(mm)



测头组合形式 Type of contact points



02

E04

06

08

10

12

14

16

18

20

22

24

26

主要技术参数 SPECIFICATIONS

货号 Nr.	型号 Model	测量范围 Range (mm)	分度值 Grad.(mm)	特点 Features	
611-101	BC01	0-10	0.01	配防震表 With shockproof dial indicator	标准型测头组合 Standard type contact points
611-101C	BC01	0-10	0.01		C型测头组合 Ctype contact points
611-101B	BC01	0-10	0.01		B型测头组合 Btype contact points
611-101D	BC01	0-10	0.01		D型测头组合 Dtype contact points
611-111	BC01	0-10	0.01	配普通表 With universal dial indicator	标准型测头组合 Standard type contact points
611-111C	BC01	0-10	0.01		C型测头组合 Ctype contact points
611-111B	BC01	0-10	0.01		B型测头组合 Btype contact points
611-111D	BC01	0-10	0.01		D型测头组合 Dtype contact points
611-112	BC05	0-20	0.01	配普通表 With universal dial indicator	标准型测头组合 Standard type contact points
611-112C	BC05	0-20	0.01		C型测头组合 Ctype contact points
611-112B	BC05	0-20	0.01		B型测头组合 Btype contact points
611-112D	BC05	0-20	0.01		D型测头组合 Dtype contact points
611-111E	BC01	0-10	0.01		∅30大量面测头 ∅30 large surface probe
611-211	BC20	0-0.5"	0.001"	配英制表 With inch dial indicator	标准型测头组合 Standard type contact points
611-211C	BC20	0-0.5"	0.001"		C型测头组合 Ctype contact points
611-211B	BC20	0-0.5"	0.001"		B型测头组合 Btype contact points
611-211D	BC20	0-0.5"	0.001"		D型测头组合 Dtype contact points
611-311	BC20	0-0.5"	0.0005"	配英制表 With inch dial indicator	标准型测头组合 Standard type contact points
611-311C	BC20	0-0.5"	0.0005"		C型测头组合 Ctype contact points
611-311B	BC20	0-0.5"	0.0005"		B型测头组合 Btype contact points
611-311D	BC20	0-0.5"	0.0005"		D型测头组合 Dtype contact points

测厚规

DIAL THICKNESS GAUGES



612-111C



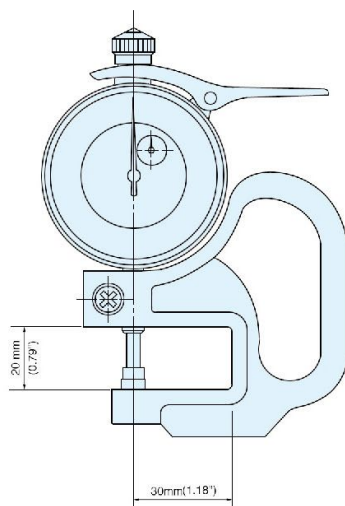
612-211S



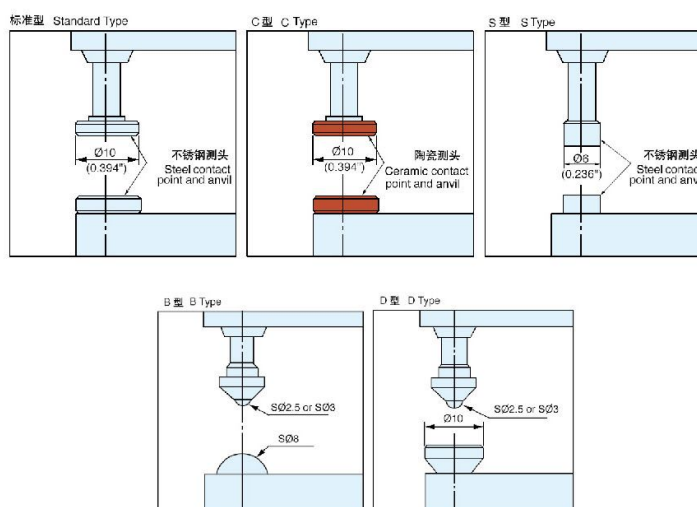
612-311C

测厚规 DIAL THICKNESS GAUGES

外形尺寸图 DIMENSIONS(mm)



测头组合形式 Type of contact points



主要技术参数 SPECIFICATIONS

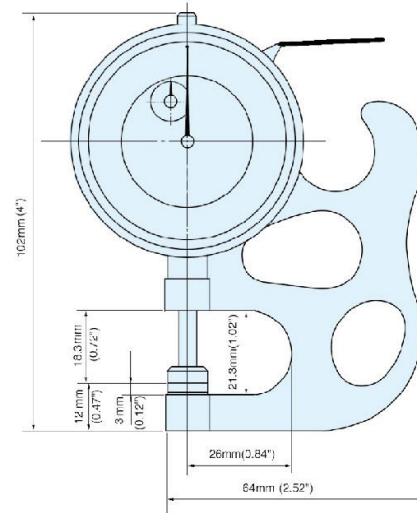
货号 Nr.	型号 Model	测量范围 Range (mm)	分度值 Grad.(mm)	特点 Features	
612-101	BC02	0-10	0.01	配防震表 With shockproof dial indicator	标准型测头组合 Standard type contact points
612-101C	BC02	0-10	0.01		C型测头组合 C type contact points
612-101S	BC02	0-10	0.01		S型测头组合 S type contact points
612-111	BC02	0-10	0.01	配普通表 With universal dial indicator	标准型测头组合 Standard type contact points
612-111C	BC02	0-10	0.01		C型测头组合 C type contact points
612-111S	BC02	0-10	0.01		S型测头组合 S type contact points
612-111B	BC02	0-10	0.01		B型测头组合 B type contact points
612-111D	BC02	0-10	0.01		D型测头组合 D type contact points
612-211	BC20	0-0.5"	0.001"	配英制表 With inch dial indicator	标准型测头组合 Standard type contact points
612-211C	BC20	0-0.5"	0.001"		C型测头组合 C type contact points
612-211S	BC20	0-0.5"	0.001"		S型测头组合 S type contact points
612-211B	BC20	0-0.5"	0.001"		B型测头组合 B type contact points
612-211D	BC20	0-0.5"	0.001"		D型测头组合 D type contact points
612-311	BC20	0-0.5"	0.0005"		标准型测头组合 Standard type contact points
612-311C	BC20	0-0.5"	0.0005"		C型测头组合 C type contact points
612-311S	BC20	0-0.5"	0.0005"		S型测头组合 S type contact points
612-311B	BC20	0-0.5"	0.0005"		B型测头组合 B type contact points
612-311D	BC20	0-0.5"	0.0005"		D型测头组合 D type contact points

测厚规 DIAL THICKNESS GAUGES



613-101C

外形尺寸图 DIMENSIONS(mm)



主要技术参数 SPECIFICATIONS

公制mm

货号 Nr.	型号 Model	测量范围 Range (mm)	分度值 Grad.(mm)	特点 Features
613-101	BC04	0-10	0.01	标准型测头组合 Standard type contact points
613-101C	BC04	0-10	0.01	C型测头组合 C type contact points

主要技术参数 SPECIFICATIONS

英制inch

货号 Nr.	型号 Model	测量范围 Range (in)	分度值 Grad.(in)	特点 Features
613-211	BC50	0-0.5	0.001	标准型测头组合 Standard type contact points
613-211C	BC50	0-0.5	0.001	C型测头组合 C type contact points
613-311	BC50	0-0.5	0.0005	标准型测头组合 Standard type contact points
613-311C	BC50	0-0.5	0.0005	C型测头组合 C type contact points

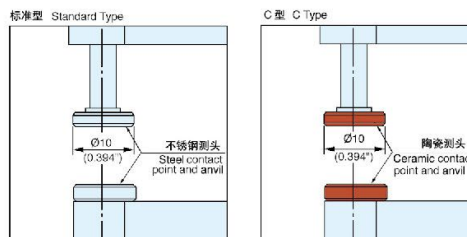
性能及特点

- 表架与表体铸成一体式结构(铝合金)
- 人体工学提升按键
- 带提升机构缓冲装置

FEATURES

- Integrative main body machined from aluminum
- Somatological lifting handle
- Upward shockproof

测头组合形式 Type of contact points



袖珍测厚规 POCKET DIAL THICKNESS GAUGES



主要技术参数 SPECIFICATIONS

公制mm

货号 Nr.	型号 Model	测量范围 Range (mm)	分度值 Grad.(mm)	特点 Features
614-111	BC06	0-10	0.01	不锈钢测头Steel anvils

主要技术参数 SPECIFICATIONS

英制inch

货号 Nr.	型号 Model	测量范围 Range (in)	分度值 Grad. (in)	特点 Features
614-211	BC60	0-0.5	0.001	不锈钢测头Steel anvils
614-311	BC61	0-0.5	0.0005	不锈钢测头Steel anvils

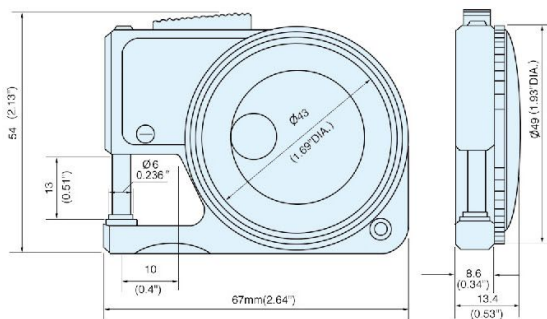
性能及特点

- 微型化设计的测厚规，方便携带，特别适用于快速检测纸张、皮革、线材、塑料等金属及类似材料
- 铝合金表架、不锈钢测头及测砧组合

FEATURES

- The very compact thickness gauges are designed for carrying convenience and ideally suited for quick inspection of paper, leather, wire, plastic, sheet metal and similar materials
- Aluminum main body, stainless steel contact point and anvil

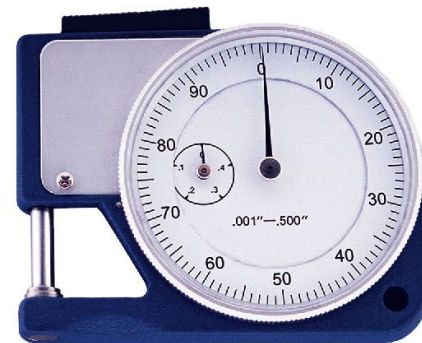
外形尺寸图 DIMENSIONS(mm)



614-111



614-311





Pursuing
The Precision
Serving
The World

测厚规 DIAL THICKNESS GAUGES

01
03
05
07
E09
11
13
15
17
19
21
23
25



619-112



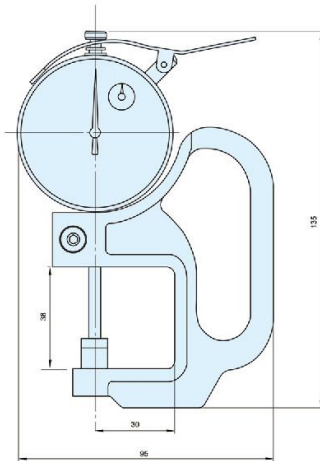
619-121C



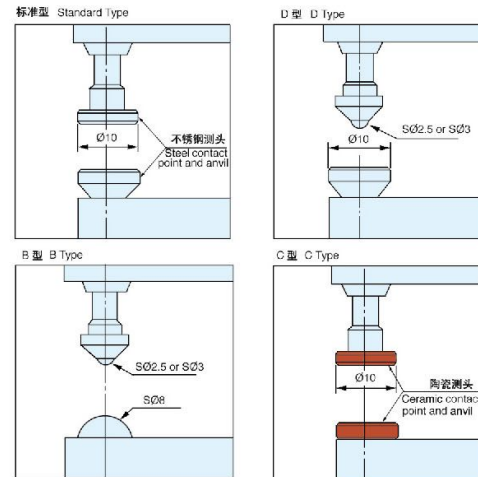
619-211C

测厚规 DIAL THICKNESS GAUGES

外形尺寸图 DIMENSIONS(mm)



测头组合形式 Type of contact points



02
04
06
08
E10
12
14
16
18
20
22
24
26

主要技术参数 SPECIFICATIONS

货号 Nr.	型号 Model	测量范围 Range (mm)	分度值 Grad.(mm)	特点 Features	
619-101	BC25	0-25	0.01	配防震表 With shockproof dial indicator	标准型测头组合Standard type contact points
619-101C	BC25	0-25	0.01		C 型测头组合C type contact points
619-101B	BC25	0-25	0.01		B 型测头组合B type contact points
619-101D	BC25	0-25	0.01		D 型测头组合D type contact points
619-111	BC25	0-30	0.01	配普通表 With universal dial indicator	标准型测头组合Standard type contact points
619-111C	BC25	0-30	0.01		C 型测头组合C type contact points
619-111B	BC25	0-30	0.01		B 型测头组合B type contact points
619-111D	BC25	0-30	0.01		D 型测头组合D type contact points
619-112	BC25	0-25	0.01	配普通表 With universal dial indicator	标准型测头组合Standard type contact points
619-112C	BC25	0-25	0.01		C 型测头组合C type contact points
619-112B	BC25	0-25	0.01		B 型测头组合B type contact points
619-112D	BC25	0-25	0.01		D 型测头组合D type contact points
619-121	BC25	0-30	0.01	配普通表 With universal dial indicator	标准型测头组合Standard type contact points
619-121C	BC25	0-30	0.01		C 型测头组合C type contact points
619-121B	BC25	0-30	0.01		B 型测头组合B type contact points
619-121D	BC25	0-30	0.01		D 型测头组合D type contact points
619-211	BC25	0-1"	0.001"	配英制表 With inch dial indicator	标准型测头组合Standard type contact points
619-211C	BC25	0-1"	0.001"		C 型测头组合C type contact points
619-211B	BC25	0-1"	0.001"		B 型测头组合B type contact points
619-211D	BC25	0-1"	0.001"		D 型测头组合D type contact points
619-311	BC25	0-1"	0.0005"	配英制表 With inch dial indicator	标准型测头组合Standard type contact points
619-311C	BC25	0-1"	0.0005"		C 型测头组合C type contact points
619-311B	BC25	0-1"	0.0005"		B 型测头组合B type contact points
619-311D	BC25	0-1"	0.0005"		D 型测头组合D type contact points



Pursuing
The Precision
Serving
The World

测厚规

DIAL THICKNESS GAUGES

01
03
05
07
09
E11
13
15
17
19
21
23
25



617-111



617-111B

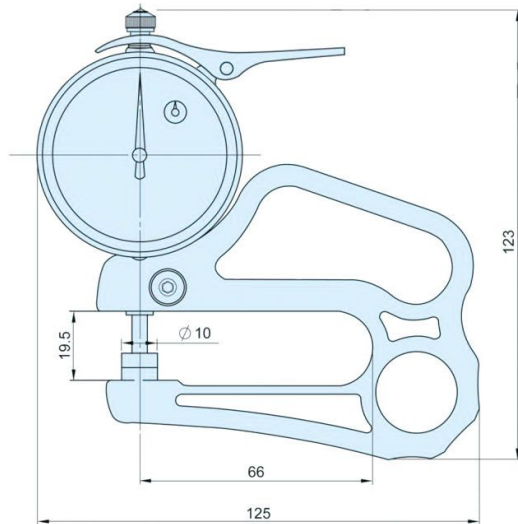


617-121C

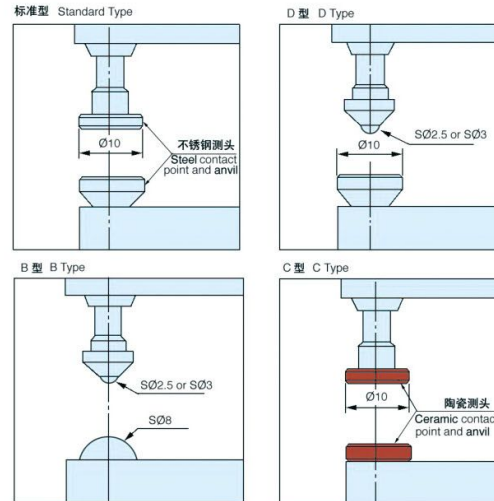
测厚规

DIAL THICKNESS GAUGES

外形尺寸图 DIMENSIONS(mm)



测头组合形式 Type of contact points



02
04
06
08
10
E12
14
16
18
20
22
24
26

主要技术参数 SPECIFICATIONS

货号 Nr.	型号 Model	测量范围 Range (mm)	分度值 Grad.(mm)	特点 Features	
617-101	BC09	0-10	0.01	配防震表 With shockproof dial indicator	标准型测头组合 Standard type contact points
617-101C	BC09	0-10	0.01		C型测头组合 Ctype contact points
617-101B	BC09	0-10	0.01		B型测头组合 Btype contact points
617-101D	BC09	0-10	0.01		D型测头组合 Dtype contact points
617-111	BC09	0-10	0.01	配普通表 With universal dial indicator	标准型测头组合 Standard type contact points
617-111C	BC09	0-10	0.01		C型测头组合 Ctype contact points
617-111B	BC09	0-10	0.01		B型测头组合 Btype contact points
617-111D	BC09	0-10	0.01		D型测头组合 Dtype contact points
617-121	BC09	0-12.5	0.01	配数显表 With digital indicator	标准型测头组合 Standard type contact points
617-121C	BC09	0-12.5	0.01		C型测头组合 Ctype contact points
617-121B	BC09	0-12.5	0.01		B型测头组合 Btype contact points
617-121D	BC09	0-12.5	0.01		D型测头组合 Dtype contact points
617-211	BC09	0-0.5"	0.001"	配英制表 With inch dial indicator	标准型测头组合 Standard type contact points
617-211C	BC09	0-0.5"	0.001"		C型测头组合 Ctype contact points
617-211B	BC09	0-0.5"	0.001"		B型测头组合 Btype contact points
617-211D	BC09	0-0.5"	0.001"		D型测头组合 Dtype contact points
617-311	BC09	0-0.5"	0.0005"		标准型测头组合 Standard type contact points
617-311C	BC09	0-0.5"	0.0005"		C型测头组合 Ctype contact points
617-311B	BC09	0-0.5"	0.0005"		B型测头组合 Btype contact points
617-311D	BC09	0-0.5"	0.0005"		D型测头组合 Dtype contact points

测厚规

DIAL THICKNESS GAUGES

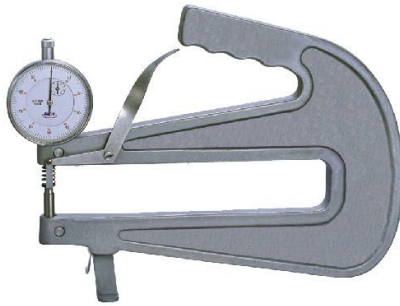
性能及特点

- 铝合金表架, 不锈钢测头砧
- 大测力: 6.8N
- 超大测量深度200mm
- 带支承托架, 方便使用

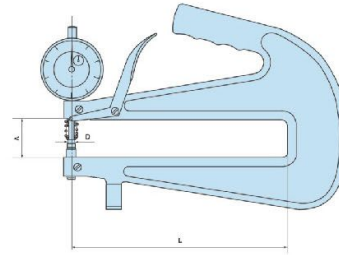
FEATURES

- Aluminum main body, stainless steel contact point and anvil
- Heavy measuring force: 6.8N
- Super measuring depth: 200mm
- With supporting bracket, convenience operation

外形尺寸图 DIMENSIONS(mm)



615-101



公制mm

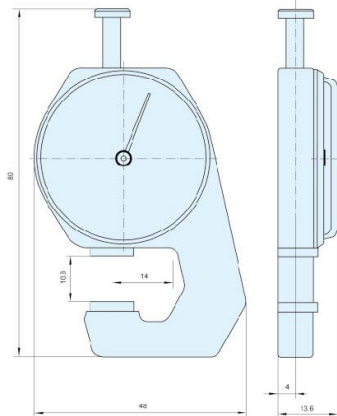
主要技术参数 SPECIFICATIONS

货号 Nr.	型号 Model	测量范围 Range	分度值 Grad.	外形尺寸Dimensions			说明Expianation
				A	L	D	
615-101	BC03	0-10 mm	0.01mm	36mm	200mm	∅6.5mm	配防震表 Equipped with shockproof dial indicator
615-111	BC03	0-10 mm	0.01mm	36mm	200mm	∅6.5mm	配普通表 Equipped with universal dial indicator
615-211	BC40	0-0.5"	0.001"	1.42"	7.87"	∅0.256"	
615-311	BC40	0-0.5"	0.0005"	1.42"	7.87"	∅0.256"	

十分测厚规

DIAL THICKNESS GAUGES

外形尺寸图 DIMENSIONS(mm)



618-111



使用说明

- 分度值: 0.1mm, 测量范围: 0-10mm
- 使用前应将两测头测量面, 测杆擦干净
- 使用时应在闭合状态下调整表圈使指针对准“0”位后方进入测量
- Graduation 0.1mm range: 0-10mm
- When using the bezel should be adjusted in the closed anvils state to make the hand to aim at zero
- 使用时应避免指示表的剧烈撞击, 以免影响读数的准确性
- 除修理或调整外, 禁止拆卸
- 使用后, 应将两测头的测量面擦净, 并涂防锈油加以保护
- Wipe the two heads before using

01
03
05
07
09
11
E13
15
17
19
21
23
25

管厚规 DIAL PIPE GAUGES

性能及特点

- 表架与表体铸成一体式结构(铝合金)
- 人体工学提升按键
- 带提升机构缓冲装置
- 专用于测量管材壁厚或弯板厚表

FEATURES:

- Integrative main body machined from aluminum
- Somatological lifting handle
- Upward shockproof
- The dial pipe gauge specializes in the measurement of the wall thickness of pipe or the thickness of bent plates



主要技术参数 SPECIFICATIONS

公制mm

货号 Nr.	型号 Model	测量范围 Range (mm)	分度值 Grad.(mm)	外形尺寸 Dimension(mm)					
				A	L	d	D	B	C
616-111	BC07	0-10	0.01	25.3	22	∅2.5	S∅3.5	102	59
616-111B	BC07	0-10	0.01	20.7	22	∅0.5	S∅0.8	104.5	59

主要技术参数 SPECIFICATIONS

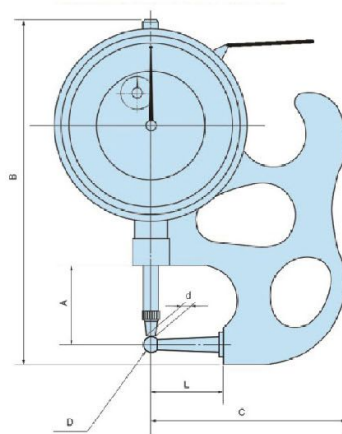
英制inch

货号 Nr.	型号 Model	测量范围 Range (in)	分度值 Grad.(in)	外形尺寸 Dimension(in)					
				A	L	d	D	B	C
616-211	BC70	0-0.5	0.001	1.0	0.87	∅0.1	S∅0.14	4.02	2.32
616-311	BC70	0-0.5	0.0005	1.0	0.87	∅0.1	S∅0.14	4.02	2.32
616-211B	BC70	0-0.5	0.001	0.8	0.87	∅0.02	S∅0.03	4.11	2.32
616-311B	BC70	0-0.5	0.0005	0.8	0.87	∅0.02	S∅0.03	4.11	2.32

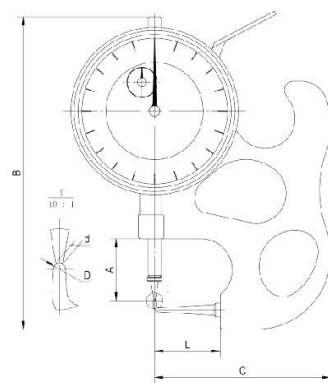
外形尺寸图 DIMENSIONS(mm)



616-111



616-211(311)



616-111B(211B 311B)

02
04
06
08
10
12
E14
16
18
20
22
24
26

数显测厚规

DIAL THICKNESS GAUGES

性能及特点

- 铝合金表架，不锈钢测头砧
- 任意位置置零
- 任意位置进行公英制转换
- 测量方向转换

FEATURES

- Aluminum main body, stainless steel contact point and anvil
- Zeroing at any position
- Metric/inch switching
- Direction switch

01
03
05
07
09
11
13
E15
17
19
21
23
25



620-121



620-121C



620-121B



621-121

主要技术参数 SPECIFICATIONS

货号 Nr.	测量范围 Range (mm)	分度值 Grad.(mm)	喉深 Threat depth (mm)
620-121	0-10	0.01	19
620-121C	0-10	0.01	19
620-121B	0-10	0.01	19
620-421	0-10	0.001	19
621-121	0-20	0.01	25
621-421C	0-20	0.001	25

性能及特点

- 任意位置置零
- 人体工学提升按键
- 任意位置进行公英制转换
- 串行输出口可与微机或打印机联接进行数据处理
- 测量方向转换
- 不锈钢测头、陶瓷测头可选配

FEATURES:

- Zeroing at any position
- Somatological lifting handle
- Metric/inch switching
- Data output can interfacing with a computer or a printer via special converter to process data.
- Direction switch
- Stainless steel probe and ceramic probe are optional.

数显测厚规
DIAL PIPE GAUGES

02
04
06
08
10
12
14
E16
18
20
22
24
26



622-121



625-121



623-121



626-421



623-421

主要技术参数 SPECIFICATIONS

货号 Nr.	测量范围 Range (mm)	分度值 Grad.(mm)	喉深 Threat depth (mm)
622-121	0-12.7	0.01	30
623-121	0-25.4	0.01	30
624-121	0-12.7	0.01	120
625-121	0-25.4	0.01	120
626-121	0-12.7	0.01	100
622-421	0-12.7	0.001	30
623-421	0-25.4	0.001	30
624-421	0-12.7	0.001	120
625-421	0-25.4	0.001	120
626-421	0-12.7	0.001	100



Pursuing
The Precision
Serving
The World

F01

03
05
07
09
11
13
15
17
19
21
23
25

对刀器 Preset Gauge

F



加工中心伴侣、操作工的助手

带有磁性底座，放置稳定牢固
外形美观、小巧实用，精度高
调整简单方便

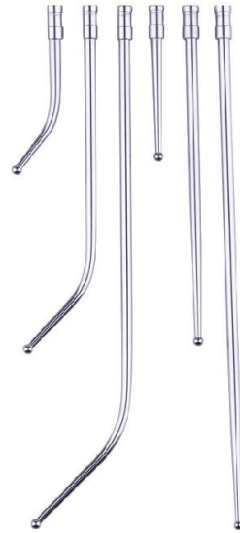


定中心杠杆指示表 CENTERING DIAL INDICATOR

F02



803-101



04
06
08
10
12
14
16
18
20
22
24
26

主要技术参数 SPECIFICATIONS

货号 Nr.	型号 Model	分度值 Grad.	测量范围 Range	直测头长度 (mm)	弯测头长度 (mm)	中心顶尖长度 (mm)	夹持柄直径 (mm)	量头直径 (mm)
803-101	WL36	0.01mm	0-3 mm	45,100,154	46,100,154	52.5	10	3
803-301	WL36	0.0005in	0.15in	45,100,154	46,100,154	52.5	9.52	3

对刀器 (Z轴设定器)

PRESET GAUGES (Z axis setter)

01

F03

05

使用方法

07

- 将对零轴转至TEST

09

- 按下对刀平面至静止, 转数指针会指示零位, 转动表圈使大指针对零位

11

13

- 使用时将对零轴转至USE

15

- 将对刀器放在工件上, 把磁性座的开关转到“ON”, 刀具慢速进给至对刀面, 使大、小指针同时对零位, 则刀具与工件的距离是100mm

17

19

FEATURES

21

- Turn the button of setting-zero from "use" to "test";

23

- Press down, the small indicator will show "0", keep your hand and then adjust indicator to be zero at long-needle;

25

- Turn the button of setting-zero to "use" before use;

- Put on the work piece, cutter touch probe side, when the long-needle and short-needle moving to "0" at the same time, the distance of the cutter with work piece is 100mm.

注意事项

1. 为更好的保证对刀器的精度, 使用时避免放于未经加工的毛坯面
2. 请勿靠近温度超过100℃的热源, 以防脱磁。



801-112

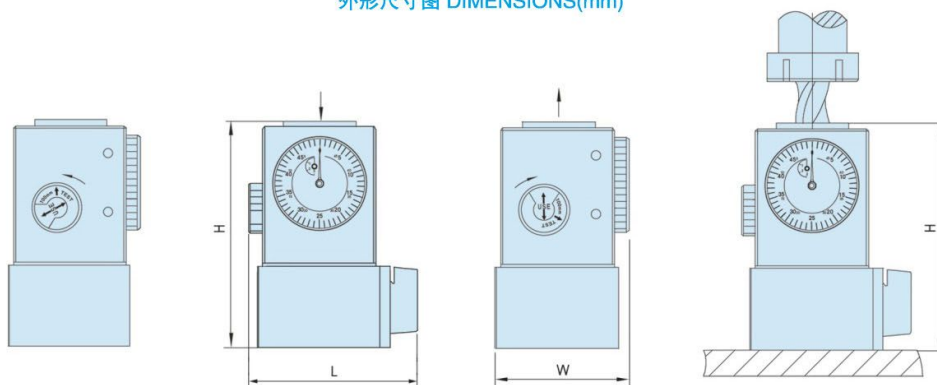
产品名称 对刀器

产品型号 DDQ50、DDQ100

高度 50mm、100mm

允许误差 0.01mm

外形尺寸图 DIMENSIONS(mm)



对刀器 (Z轴设定器) PRESET GAUGES (Z axis setter)

02

F04

06

08

10

12

14

16

18

20

22

24

26



801-101



801-311

主要技术参数 SPECIFICATIONS

货号 Nr.	型号 Model	高度 Height (mm)	分度值 Grad. (mm)	行程≥ Range(mm)	L (mm)	W (mm)	说明 Explanation
801-101	DDQ50	50	0.01	1.5	56	57	方形、表头内置、底面无磁性 Square base, Inside indicator, Non-magnetic
801-111	DDQ50	50	0.01	1.5	56	57	方形、表头内置、底面有磁性 Square base, Inside indicator, Magnetic
801-112	DDQ100	100	0.01	1.5	70	59	底面有磁性 (附开关) Magnetic (With switch)
801-201	DDQ50i	2"	0.001"	0.06"	2.20"	2.24"	方形、表头内置、底面无磁性 Square base, Inside indicator, Non-magnetic
801-211	DDQ50i	2"	0.001"	0.06"	2.20"	2.24"	方形、表头内置、底面有磁性 Square base, Inside indicator, Magnetic
801-301	DDQ50i	2"	0.0005"	0.06"	2.20"	2.24"	方形、表头内置、底面无磁性 Square base, Inside indicator, Non-magnetic
801-311	DDQ50i	2"	0.0005"	0.06"	2.20"	2.24"	方形、表头内置、底面有磁性 Square base, Inside indicator, Magnetic
801-212	DDQ100i	4"	0.001"	0.06"	2.76"	2.32"	底面有磁性 (附开关) Magnetic (With switch)
801-312	DDQ100i	4"	0.0005"	0.06"	2.76"	2.32"	底面有磁性 (附开关) Magnetic (With switch)



Pursuing
The Precision
Serving
The World

G01

03
05
07
09
11
13
15
17
19
21
23
25

其他产品 Other Products

G



深度百分表

Depth dial Indicators

磁性表座

Magnetic Stand

硫化机测力表

Indicator of Vulcanizer Dynamometer

数显半径规

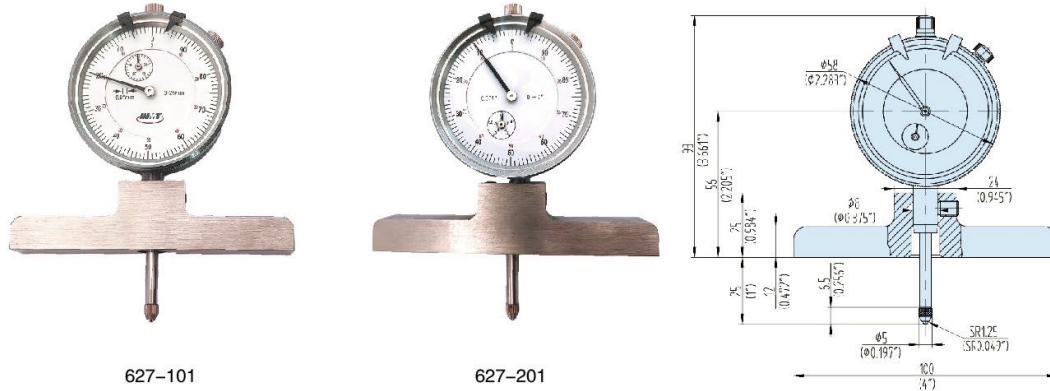
Digital display radius gauge



深度百分表 Depth dial Indicators

G02

外形尺寸图 DIMENSIONS



04
06
08
10
12
14
16
18
20
22
24
26

主要技术参数 SPECIFICATIONS

货号 Nr.	型号 Model	测量范围 Range	分度值 Grad	测头长度 Contact point length	可换测量杆长度 Interchangeable measuring rod length	说明 Description
627-101	WL19A	0-550mm	0.01mm	31.5mm	25mm,50mm,75mm,100mm,125mm,150mm	配0-25mm指示表
627-201	WL19	0-22"	0.001"	1.256"	1"2"3"4"5"6"	配0-1"指示表

磁性表座 Magnetic Stand



性能及特点

- 适合任意形状和轮廓
- 强大的永久磁力。卡紧安全可靠
- 带和不带微调装置

FEATURES

- Fits any shape and contour
- Permant powerful magnet hold securely
- With or without fine adjustment

主要技术参数 SPECIFICATIONS

单位Unit:N					
货号Nr.	813-101	813-102	813-103	813-104	813-105
规格Model	I	II	III	IV	IV
工作磁力 Working magnetic force	196	392	588	784	960
剩余磁力 Residual magnetic force	1	2	3	4	4

角度表

INDICATOR OF UNIVERSAL PROTRACTOR

01

G03

05

主要技术参数 SPECIFICATIONS

货号 Nr.	型号 Model	分度值 Grad.	量程 Range	说明 Explanation
231-010	WL89	5'	0-360°	按用户要求制造 Produced to order

09

11

13

15

性能及特点

- 配套811-101带表万能角度尺使用，分三点和七点精度检查。

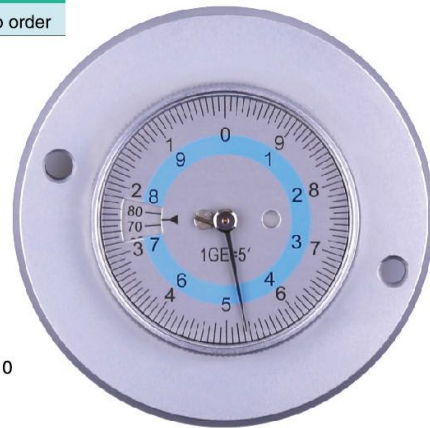
17

19

21

23

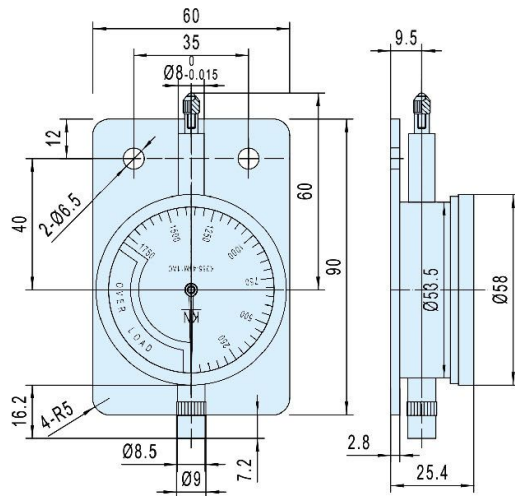
25



231-010

硫化机测力表

INDICATOR OF VULCANIZER DYNAMETER



227-010

外形尺寸图 DIMENSIONS(mm)

性能及特点

硫化机测力表是轮胎定型硫化机的专用指示表，工作时硫化机受力钢杆在合模力作用下产生弹性变形，由连杆推动测力量杆作直线位移，经机械齿轮机构传动放大，转变为指针在刻度盘上的角位移，由指针在刻度盘上指示读数的测量器具。

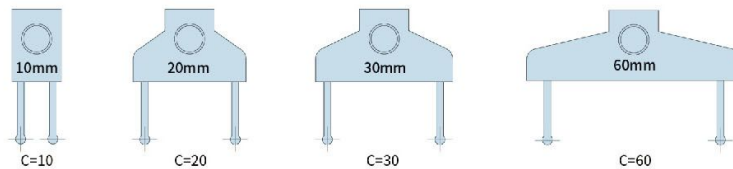
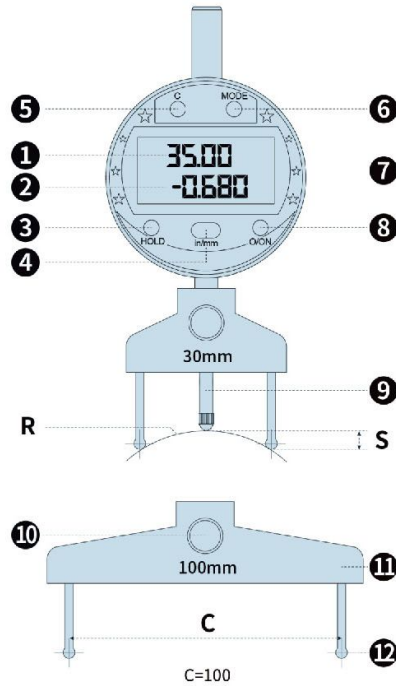


数显半径规

Digital display radius gauge



B14-101



- 1.圆弧半径R测量数值显示 2.长度测量数值显示,测量圆弧面时为弦高S 3.数据保持
4.公英制转换 5.测爪规格转换 6.功能切换 7.数据输出 8.清零及开关机 9.测量杆
10.锁紧螺钉 11.球面测头 12.测座

主要技术参数 SPECIFICATIONS

货号 Nr.	抓桥长(mm)	内径最佳测量范围	外径最佳测量范围	半径测量误差:ΔR
B14-101	10	6--15	5--13	≤0.01*R
	20	14--30	11--30	≤0.01*R
	30	26--100	22--100	≤0.01*R
	60	94--260	94--260	≤0.01*R
	100	255--700	255--700	≤0.01*R
B14-102	200	600--1600	600--1600	≤0.01*R
B14-103	300	1200--2600	1200--2600	≤0.01*R

02

G04

06

08

10

12

14

16

18

20

22

24

26

威海新威量量具有限公司

WEIHAI MEASURING TOOLS CO.,LTD.



地址：中国山东省威海市经济技术开发区环山路 688 号

Address: 688, Huanshan Road, Weihai Economic and Technical
Development Zone, Shandong, China

电话 Tel: (86)631 596 7991

(86)631 596 7992

传真 Fax: (86)631 596 7906

邮编 Post code: 264205

网址 Website: www.wmt.com.cn

E-mail: wmt@wmt.com.cn



官网二维码



产品样本下载二维码